



TECHNICAL DATA

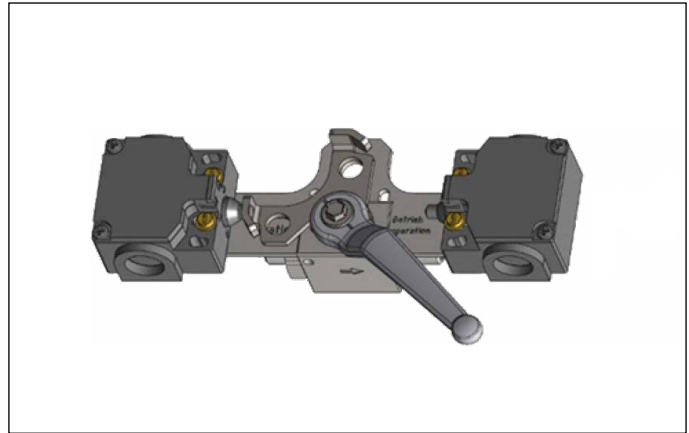
OXEO DISABLE DEVICE MX

The Viking Corporation | 210 N Industrial Park Drive | Hastings MI 49058
 Viking Special Hazards | Technical Services: 877-384-5464 | Email: techsvcs@vikingcorp.com | www.vikinggroupinc.com
 The technical data described herein is for components of the Viking Oxexo PR Fire Extinguishing Systems.
 Visit the Viking website for the latest edition of the technical data and system manuals.


1. DESCRIPTION

The Oxexo disable device MX prevents the release of the extinguishing agent to the extinguishing area by means of a manually operated lever. When the system can be activated unintentionally or people are unable to leave the extinguishing area within the egress time (i.e. for repair or maintenance work), the disable device acts as a non-electrical blocking device that prevents the extinguishing agent from being released.

The limit switches attached to the Oxexo disable device are lab approved for field wiring. Limit switches are not available for separate purchase. The Oxexo disable device hardware comes fully assembled.




2. LISTINGS AND APPROVALS

 cULus Listed - EX5248 (Oxexo PR LCP)

 FM Approved: Oxexo PR LCP

Designation	Weight	Part no.
Disable device MX	1.8 lbs (0.8 kg)	878070D

3. TECHNICAL DATA

 **WARNING:** Cancer and Reproductive Harm-
www.P65Warnings.ca.gov

3.1 - Specifications and Ratings	
Parameter	Value
Operating medium	Argon
	Nitrogen
Working pressure	2030 psi (140 bar)
Nominal diameter	DN6
Connection threads	M12 x 1.5
Temperature range	-22 °F to 176 °F (-30 °C to +80 °C)
Connection	cone for 6 mm steel pipe



TECHNICAL DATA

OXEO DISABLE DEVICE MX

The Viking Corporation | 210 N Industrial Park Drive | Hastings MI 49058

Viking Special Hazards | Technical Services: 877-384-5464 | Email: techsvcs@vikingcorp.com | www.vikinggroupinc.com

The technical data described herein is for components of the Viking Oxeo PR Fire Extinguishing Systems.

Visit the Viking website for the latest edition of the technical data and system manuals.

3.2 - Specifications and Ratings for Limit Switch (Part no. 930351)

Parameter	Value
Type	PS226-Z11-S200; Actuator type B according to DIN EN 50047 (pressure bolt S200)
Housing	Glass-fiber reinforced thermoplastic, self-extinguishing
Switching System	Snap-action switching with positive break NC contact
Contacts	1 NC contact, 1 NO contact on each switch
Contact Material	Silver
Rated insulation voltage U_i	300 V
Rated impulse withstand voltage U_{imp}	4 kV
Continuous current I_{th}	10 A
Rated operating current/voltage I_e/U_e	3 A (240 VAC)
Positive opening force	min. 40 N
Mechanical Life	10×10^6 operations
Actuating speed	Maximum 0.5 m/s; minimum 10 mm/min
Switching frequency	Maximum 5000/h
Protection class	IP66, IP67
Lateral cable routing	2 x 1/2" NPT - all conduit
Connection cross-section	Minimum 0.75 mm ² (including wire end ferrule) Maximum 2.5 mm ² (including wire end sleeve)



TECHNICAL DATA

OXEO DISABLE DEVICE MX

The Viking Corporation | 210 N Industrial Park Drive | Hastings MI 49058
Viking Special Hazards | Technical Services: 877-384-5464 | Email: techsvcs@vikingcorp.com | www.vikinggroupinc.com
The technical data described herein is for components of the Viking Oxeo PR Fire Extinguishing Systems.
Visit the Viking website for the latest edition of the technical data and system manuals.

Units
Inches (mm)

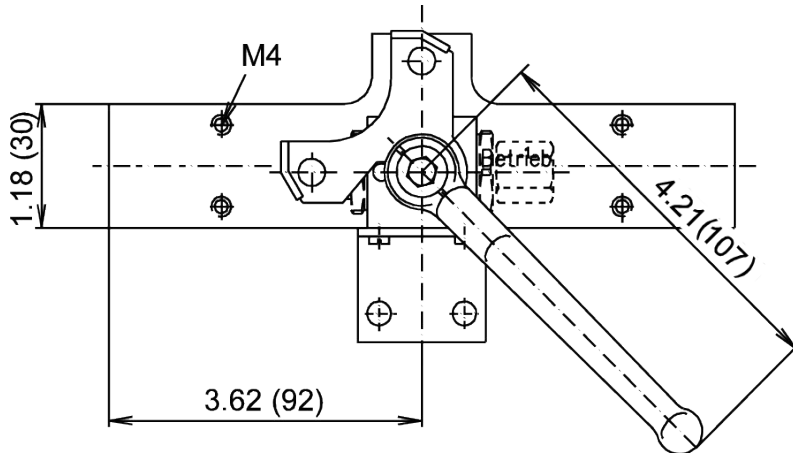


Figure 1: Disable Device Dimensions

Units
Inches (mm)

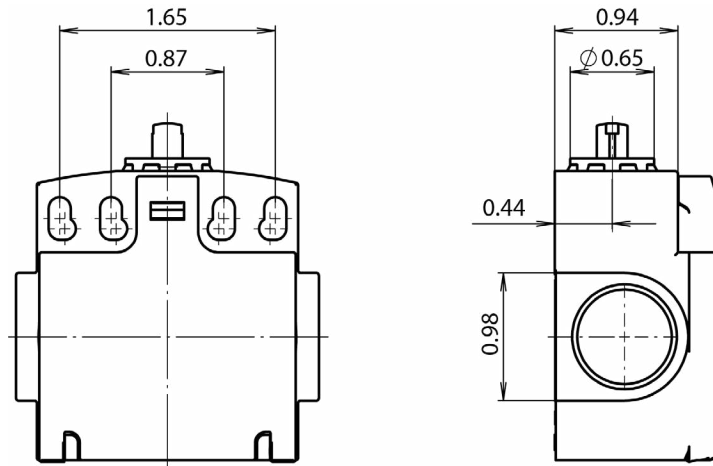


Figure 2: Limit Dimensions