



TECHNICAL DATA

PNEUMATIC ALARM DEVICE (MAKROFON)

The Viking Corporation | 210 N Industrial Park Drive | Hastings MI 49058

Viking Special Hazards | Technical Services: 877-384-5464 | Email: techsvcs@vikingcorp.com | www.vikinggroupinc.com

The technical data described herein is for components of the Viking Oxeo PR Fire Extinguishing Systems.

Visit the Viking website for the latest edition of the technical data and system manuals.

1. DESCRIPTION

The makrofon MX-1 is a pneumatically operated acoustic alarm device for the use in stationary gas extinguishing systems accordance with the system approval. This alarm device warns persons being present prior to flooding of the area with extinguishing gas by a loud sound and constant frequency.

The makrofon MX-1 includes both a NPT conversion kit and brackets (large and small). The Makrofon complies with EN 12094-12.

2. LISTINGS AND APPROVALS



UL Listed* - EX5248 (Oxeo PR LCP, VSH1230)



ULC Listed* - EX 5248 (Oxeo PR LCP, VSH1230)



FM Approved: Oxeo PR LCP; VSH1230

*Listed as a component of an Oxeo PR Fire Extinguishing System and VSH1230 Systems

3. TECHNICAL DATA

Specifications

- Operating Medium: CO₂ and N₂
- Connection: precision drawn steel pipe 6 x 1 with converters for 1/2"
- Temperature Range: -4 °F to 572 °F (-20 °C to 300 °C)
- Working Pressure: 116 psi to 1015 psi (8 bar to 70 bar)*
*overpressure-proof up to 2030 psi (140 bar)

Consumption rates

- At constant 145 psi (10 bar):
N₂: approx. 0.74 oz/min (21g/min)
- At constant 1015 psi (70 bar):
CO₂: approx. 5.2 oz/min (147g/min)
N₂: approx. 4.4 oz/min (124g/min)
- Using one CO₂ pilot cylinder (falling pressure):
at 30 minutes: 82.9 oz (2350g)
at 60 minutes: 104.06 oz (2950g)
- Installation Position: sound outlet points downward
- Makrofon complies with EN 12094-12

Marking

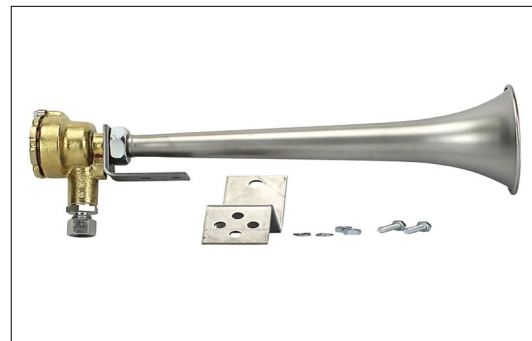
- Type: Makrofon MX-1; Part number: 860050D
- Serial number: (xxxxxx)

Material Standards

- Makrofon MX-1
- Conversion Kit* (installed hand tight upon shipment, customer assembly required):
Swivel union, 6mm drawn tubing (M12x1.5)
Adapter, male 1/4" NPT stud to 6mm drawn tubing (M12x1.5)
Steel adapter, female 1/4" NPT to male 1/2" NPT

*All components comprised of zinc plated steel (CrVI-free) per DIN ISO 8434-1 and DIN ISO 3859-1

NOTE: Makrofon intended for indoor use only



Designation	Part no.	Weight
Makrofon	860050D	2.54 lbs (1.15 kg)

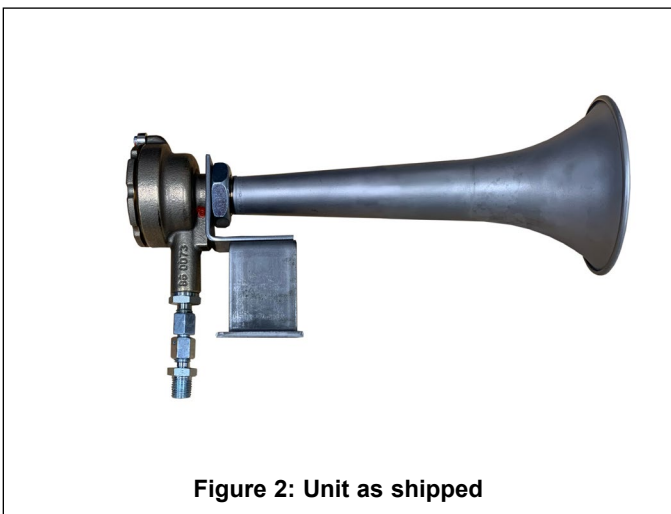


WARNING: Cancer and Reproductive Harm-
www.P65Warnings.ca.gov

	<h2 style="margin: 0;">TECHNICAL DATA</h2>	<h3 style="margin: 0;">PNEUMATIC ALARM DEVICE (MAKROFON)</h3>
---	--	---

The Viking Corporation | 210 N Industrial Park Drive | Hastings MI 49058
Viking Special Hazards | Technical Services: 877-384-5464 | Email: techsvcs@vikingcorp.com | www.vikinggroupinc.com
The technical data described herein is for components of the Viking Oxexo PR Fire Extinguishing Systems.
 Visit the Viking website for the latest edition of the technical data and system manuals.

TABLE 1: MAKROFON MX-1 TECHNICAL DATA Operating Mediums: CO ₂ (gaseous); N ₂							
Operational Temperature Range				Working Pressure Range*			
	Low	High		Low	High		
°F	-4	572	PSI	116	1015		
°C	-20	300	bar	8	70		
Operating Medium Consumption Rates							
	CO ₂		N ₂		Consumption using one CO ₂ pilot cylinder (falling pressure)		
	oz/min	g/min	oz/min	g/min		30 mins	60 mins
Consumption at constant 145 psi (10 bar)	--	--	.74	21	oz	82.9	104.06
Consumption at constant 1015 psi (70 bar)	5.2	147	4.4	124	g	2350	2950
Installation Notes <ul style="list-style-type: none"> Overpressure-proof up to 2030 psi (140 Bar). The Makrofon is to be installed with its sound outlet pointing downward. Connection to be used with precision drawn steel pipe 6 x 1. All components are delivered assembled hand-tight. 							



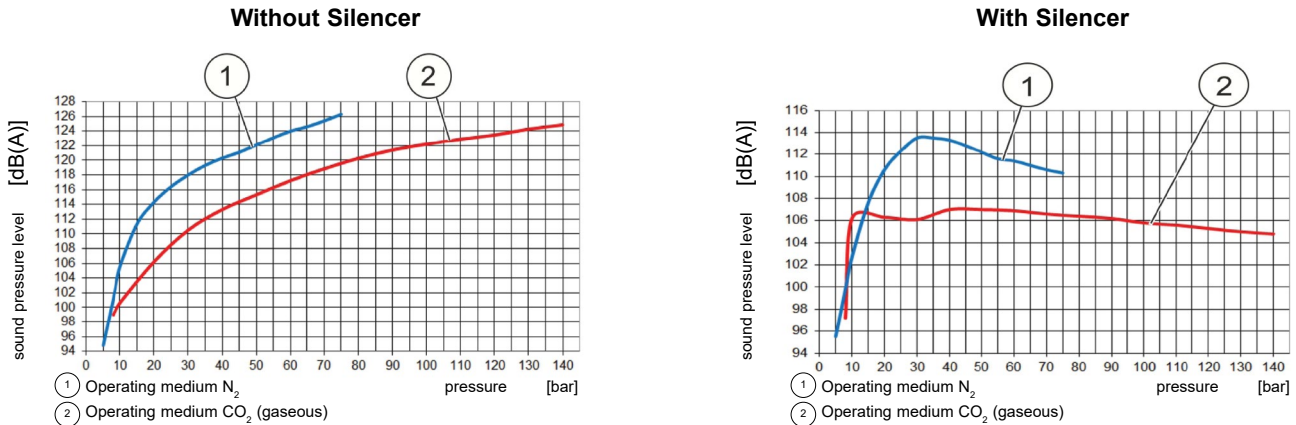


TECHNICAL DATA

PNEUMATIC ALARM DEVICE
(MAKROFON)

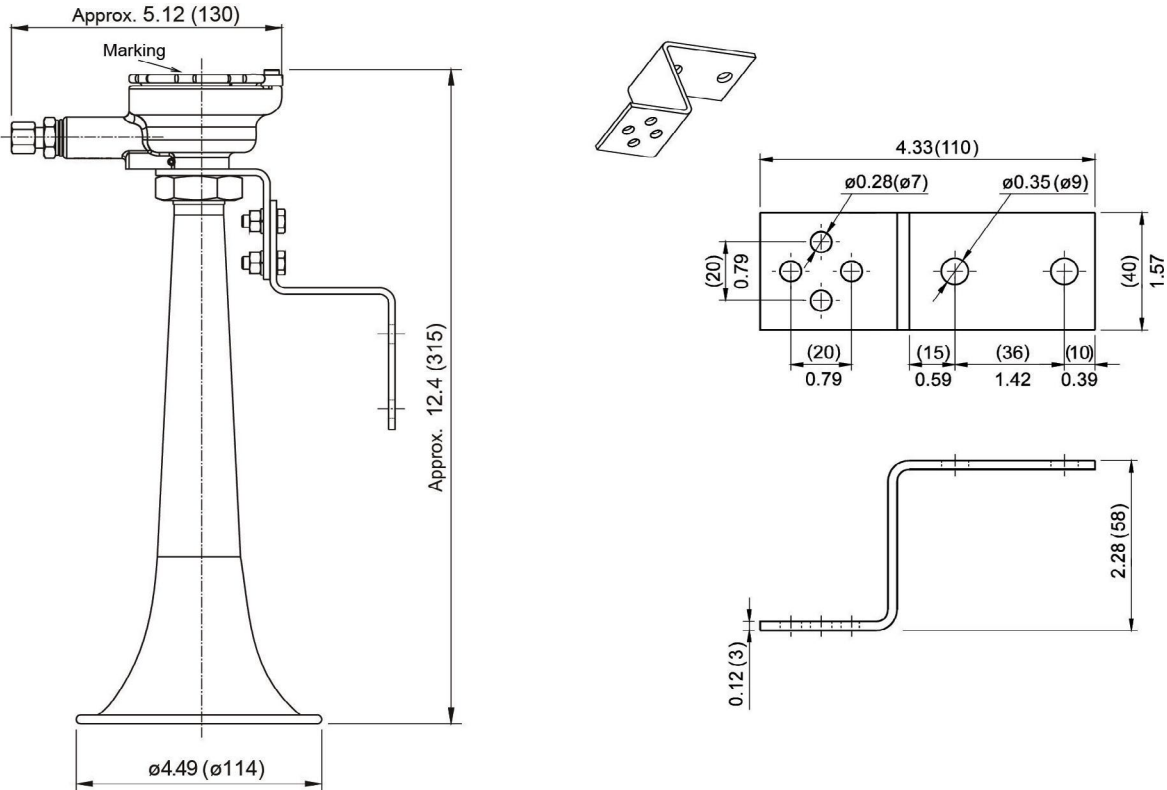
The Viking Corporation | 210 N Industrial Park Drive | Hastings MI 49058
 Viking Special Hazards | Technical Services: 877-384-5464 | Email: techsvcs@vikingcorp.com | www.vikinggroupinc.com
 The technical data described herein is for components of the Viking Oxco PR Fire Extinguishing Systems.
 Visit the Viking website for the latest edition of the technical data and system manuals.

Figure 4: A-weighted sound pressure level over the pressure range



Note: The curves shown above were determined in the laboratory. Due to the influencing factors given in situ, the real values may deviate from the curves.

Figure 5: Makrofon dimensions and bracket (large) dimensions
 Dimensions in inches (mm)





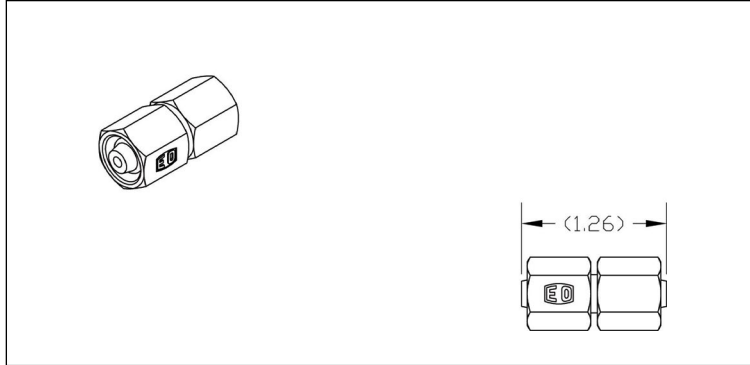
TECHNICAL DATA

PNEUMATIC ALARM DEVICE
(MAKROFON)

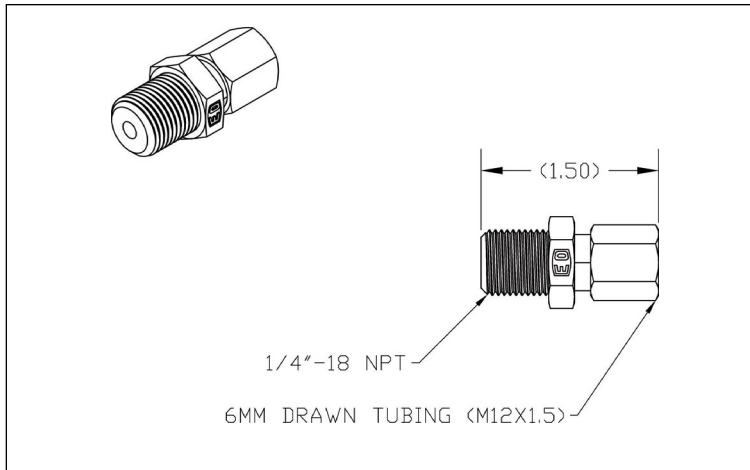
The Viking Corporation | 210 N Industrial Park Drive | Hastings MI 49058
Viking Special Hazards | Technical Services: 877-384-5464 | Email: techsvcs@vikingcorp.com | www.vikinggroupinc.com
The technical data described herein is for components of the Viking Oxco PR Fire Extinguishing Systems.
Visit the Viking website for the latest edition of the technical data and system manuals.

Figure 6: NPT Conversion Kit Components

Swivel union, 6mm drawn tubing (M12x1.5)



Adapter, male 1/4" NPT stud to 6mm drawn tubing (M12x1.5)



Steel adapter, female 1/4" NPT to male 1/2" NPT

