



TECHNICAL DATA

MANUAL RELEASE DEVICE QRV

The Viking Corporation | 210 N Industrial Park Drive | Hastings MI 49058

Viking Special Hazards | Technical Services: 877-384-5464 | Email: techsvcs@vikingcorp.com | www.vikinggroupinc.com

The technical data described herein is for components of the Viking Oxexo PR Fire Extinguishing Systems.

Visit the Viking website for the latest edition of the technical data and system manuals.


1. DESCRIPTION

The release device manual QRV is used for the manual operation of quick release valves of type QRV. The operation takes place by pressing down the manual lever to the stop, thereby actuating the quick release valve QRV by means of the release pin. The safety pin must be removed prior to manual actuation.

The manual release device can also be fitted to the electrical QRV release device (part number 914027D) as an additional means of release.

NOTE: The manual actuation must take place for at least 5 seconds.

2. LISTINGS AND APPROVALS

 cULus Listed - EX5248 (Oxexo PR LCP, IG-01, IG-100)



VdS - In conjunction with quick release valve QRV



CE - In conjunction with quick release valve QRV



FM Approved: Oxexo PR LCP; IG-01, IG-100

3. TECHNICAL DATA

Specifications

Release force for manual actuation: less than 150 N

Temperature range:

- per VdS and CE: -4 °F to 122 °F (-20 °C to +50 °C)
- During transport and storage: -4 °F to 149 °F (-20 °C to +65 °C)

Tightening torque: 18.44 ±2.95 ft-lb (25 ±4 Nm)

Fastening thread: M20 x 1.5

Marking

Manufacture date: (yyyy-mm)

Viking part no.: 914028

Torque: 18.44 ±2.95 ft-lb (25 ±4 Nm)

Material Standards

Housing: Brass

Further Parts: Stainless steel, steel, brass, plastic



Designation	Part no.	Weight
Manual QRV	914028	0.24 lbs (0.11 kg)



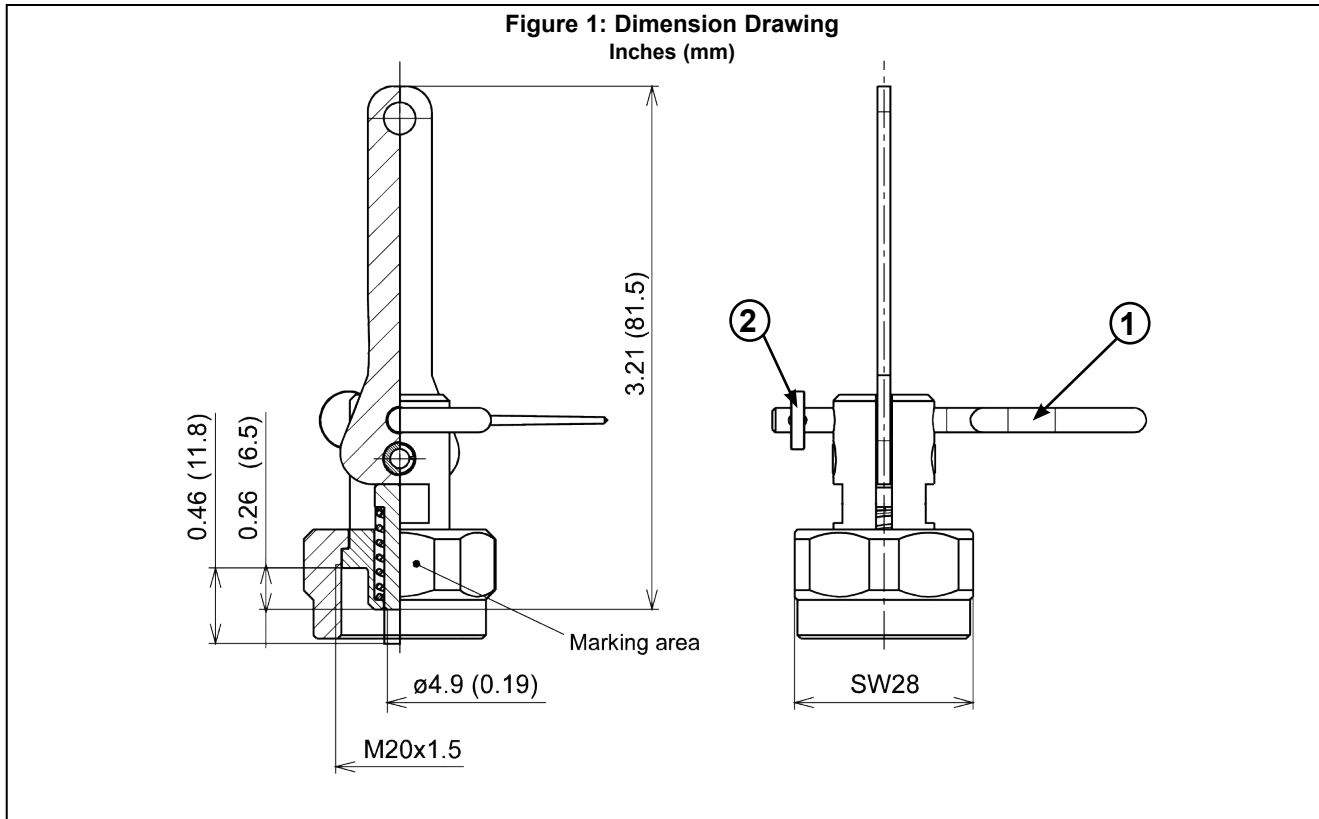
WARNING: Cancer and Reproductive Harm-
www.P65Warnings.ca.gov



TECHNICAL DATA

MANUAL RELEASE DEVICE QRV

The Viking Corporation | 210 N Industrial Park Drive | Hastings MI 49058
 Viking Special Hazards | Technical Services: 877-384-5464 | Email: techsvcs@vikingcorp.com | www.vikinggroupinc.com
 The technical data described herein is for components of the Viking Oxco PR Fire Extinguishing Systems.
 Visit the Viking website for the latest edition of the technical data and system manuals.



NOTE: Item 1 safety pin (PN 914033) and item 2 pin seal (PN 914034) can be purchased as replacement parts.