



## TECHNICAL DATA

## OXEO CONTACT PRESSURE GAUGE

The Viking Corporation | 210 N Industrial Park Drive | Hastings MI 49058

Viking Special Hazards | Technical Services: 877-384-5464 | Email: techsvcs@vikingcorp.com | www.vikinggroupinc.com

The technical data described herein is for components of the Viking Oxexo PR Fire Extinguishing Systems.

Visit the Viking website for the latest edition of the technical data and system manuals.

### 1. DESCRIPTION / FUNCTION

The contact pressure gauge is installed in the agent tank valve. The gauge is available in either normally open (NO) or normally closed (NC) contacts. The contacts are activated by the decrease in tank pressure during a system discharge or loss of tank pressure due to a leak. Gauges are available for either 2901 psi (200 bar) or 4351 psi (300 bar) tanks.

### 2. LISTINGS AND APPROVALS



cULus Listed - EX5248 (Oxexo PR LCP)



FM Approved: Oxexo PR LCP

### 3. TECHNICAL DATA

#### Specifications

Pressure Medium: argon (IG-01), nitrogen (IG-100)

Nominal size: 50

Accuracy class: 1.6

Temperature rating: -4 °F to 131 °F (-20 °C to +55 °C)

IP code: IP65 with mounted cable

#### Electrical Data

Switching voltage: 4.5 - 24 VDC / VAC

Switching current: 5 - 100 mA

Contact load: 2.4 W maximum, dry contact

Conducting wire: two-core, 39.37" (100 cm)

Cross-section of conducting wire: 0.000217 in<sup>2</sup> (0.14 mm<sup>2</sup>)

#### Material Standards

Housing: stainless steel

Pointer: plastic, yellow

Measuring network, motion work: copper alloy

Inspection glass: polycarbonate

Pressure connection: M12x1, SW14

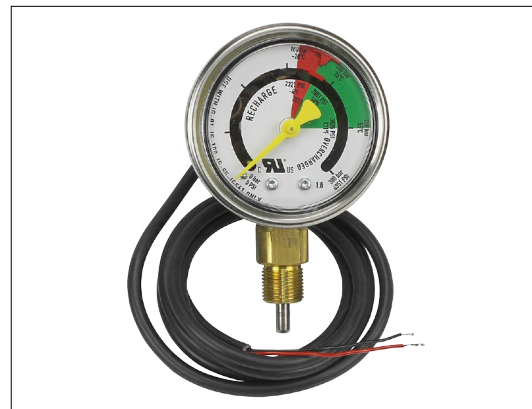
#### Design of Instrument Dial

Dial design: according to UL2127

Material: Aluminum, white

Scale: dual scale (psi/bar)

Indicating range: 0 - pressure range



Designation	Part no.
Oxexo Contact Pressure Gauge	See table below



**WARNING:** Cancer and Reproductive Harm-  
www.P65Warnings.ca.gov

Part No.	Nominal Pressure at 59 °F (15 °C) psi (bar)	Switching Mode <sup>1,2</sup>	Pressure range / switching point psi (bar)	Tolerance switching point UL psi (bar)	Weight lbs (kg)
927612	2901 (200)	Break contact <sup>1</sup> (NO) under pressure	4351 / 2611 (300 / 180)	± 108.8 (± 7.5)	0.33 (0.15)
927616	4351 (300)		6527 / 3916 (450 / 270)	± 163.2 (± 11.25)	0.33 (0.15)
927615	2901 (200)	Make contact <sup>2</sup> (NC) under pressure	4351 / 2611 (300 / 180)	± 108.8 (± 7.5)	0.33 (0.15)
927617	4351 (300)		6527 / 3916 (450 / 270)	± 163.2 (± 11.25)	0.33 (0.15)

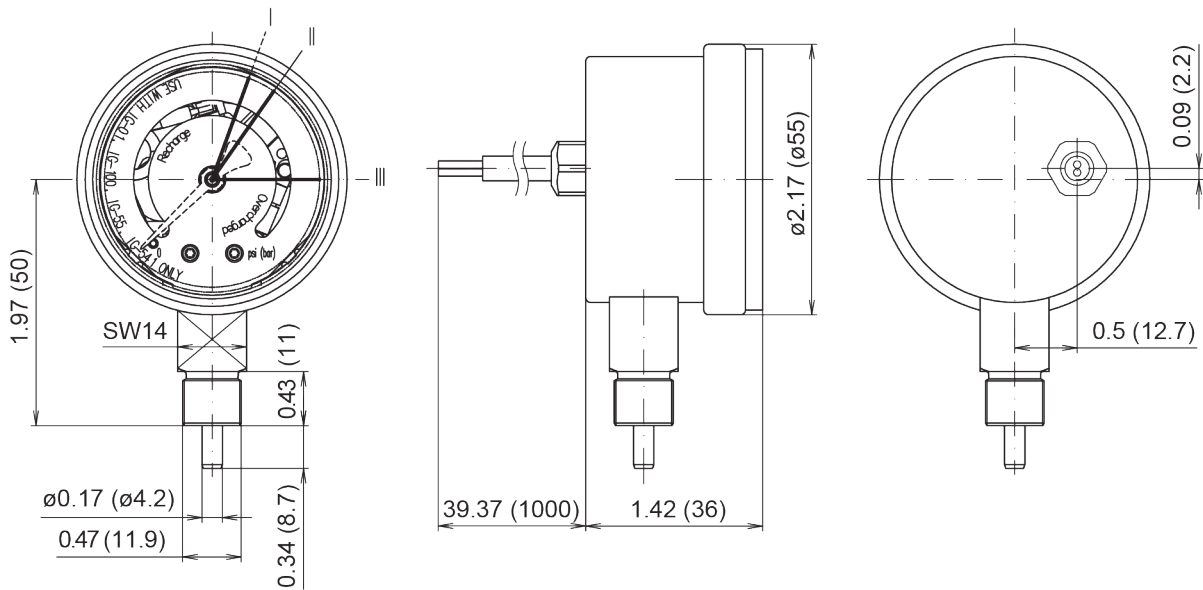


**TECHNICAL DATA**

**OXEO CONTACT PRESSURE GAUGE**

The Viking Corporation | 210 N Industrial Park Drive | Hastings MI 49058  
 Viking Special Hazards | Technical Services: 877-384-5464 | Email: techsvcs@vikingcorp.com | www.vikinggroupinc.com  
 The technical data described herein is for components of the Viking Oxeo PR Fire Extinguishing Systems.  
 Visit the Viking website for the latest edition of the technical data and system manuals.

**Figure 1: Dimensions**  
 Inches (mm)



**Indicating Range Marked**

Nominal Pressure at 59 °F (15 °C) psi (bar)	Red area I to II bar	Green area II to III bar	Marking at nominal pressure psi (bar)	Marking at I psi (bar)	Marking at III psi (bar)
2901 (200)	160-180	180-200	2901   (200)   59 °F   (15 °C)	2321 (160) at -4 °F (-20 °C)	3626 (250) at 131 °F (55 °C)
4351 (300)	235-270	270-366	4351   (300)   59 °F   (15 °C)	2408 (235) at -4 °F (-20 °C)	5308 (366) at 131 °F (55 °C)

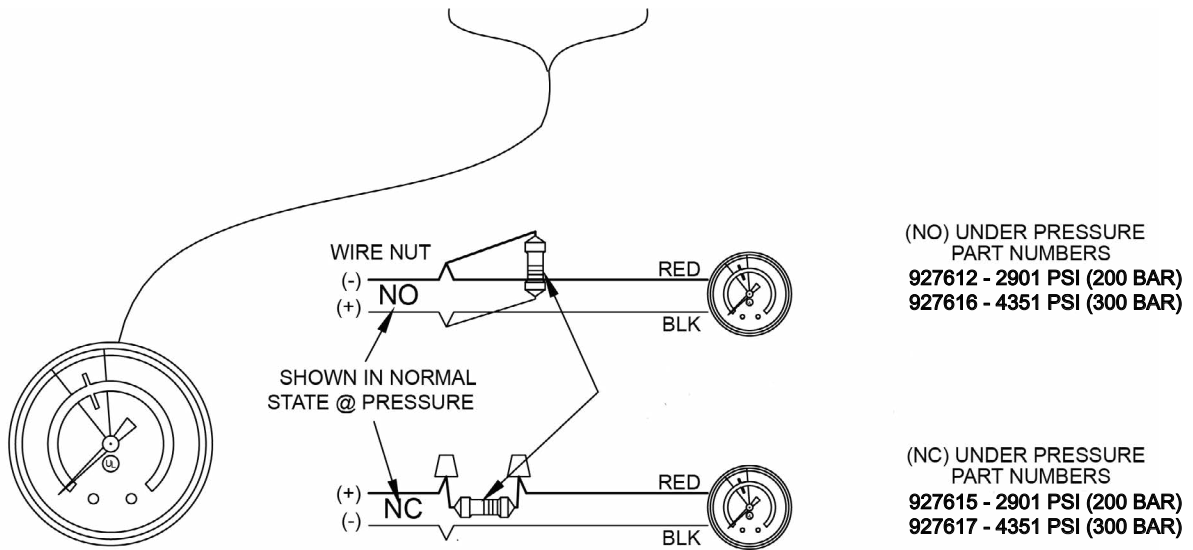


**TECHNICAL DATA**

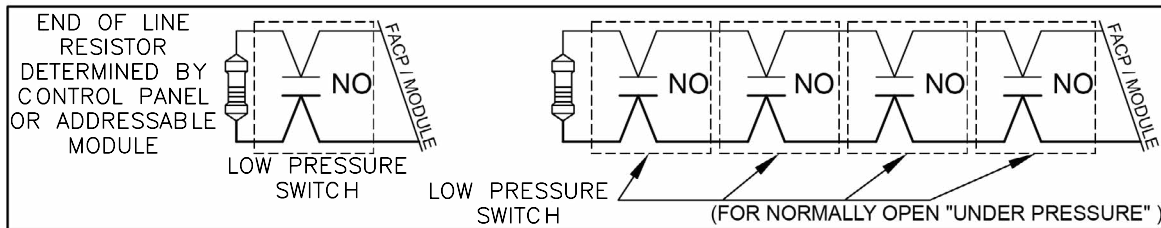
**OXEO CONTACT PRESSURE GAUGE**

The Viking Corporation | 210 N Industrial Park Drive | Hastings MI 49058  
 Viking Special Hazards | Technical Services: 877-384-5464 | Email: techsvcs@vikingcorp.com | www.vikinggroupinc.com  
 The technical data described herein is for components of the Viking Oxeo PR Fire Extinguishing Systems.  
 Visit the Viking website for the latest edition of the technical data and system manuals.

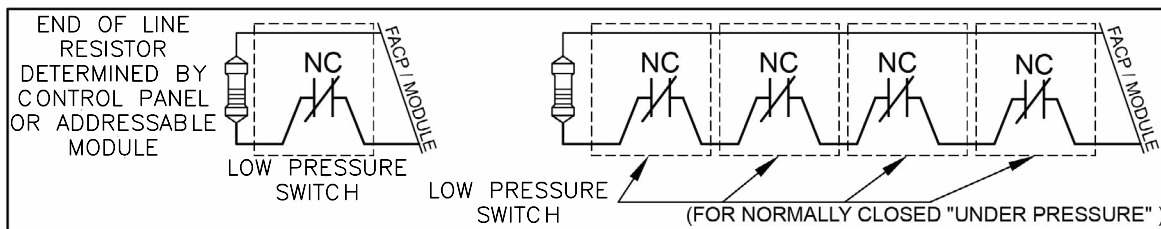
**Figure 2: Contact Pressure Gauge Wiring**



NORMALLY OPEN (NO\*) IS FOR CONVENTIONAL PANEL. NOT REQUIRED FOR ADDRESSABLE PANEL  
 NORMALLY CLOSED (NC\*) IS FOR ADDRESSABLE PANEL. NOT REQUIRED FOR CONVENTIONAL PANEL  
 \*NO AND NC IS RELATED TO VALVE STATE UNDER PRESSURE



**PANEL OR MODULE TERMINATION FOR NORMALLY OPEN "UNDER PRESSURE"**



**PANEL OR MODULE TERMINATION FOR NORMALLY CLOSED "UNDER PRESSURE"**