



TECHNICAL DATA

**OXEO MANIFOLD
PRESSURE RELIEF
2901 PSI (200 BAR)**

The Viking Corporation | 210 N Industrial Park Drive | Hastings MI 49058
 Viking Special Hazards | Technical Services: 877-384-5464 | Email: techsvcs@vikingcorp.com | www.vikinggroupinc.com
 The technical data described herein is for components of the Viking Oxeo PR Fire Extinguishing Systems.
 Visit the Viking website for the latest edition of the technical data and system manuals.

1. DESCRIPTION / FUNCTION

The Oxeo manifold pressure relief devices operate to ensure the safety of the Oxeo inert gas fire protection system. The pressure reliefs are installed in-line with the manifold before the pressure reducer to ensure that the pressure does not increase to a level that would rupture the system piping.

2. LISTINGS AND APPROVALS

cULus Listed - EX5248 (Oxeo PR LCP, IG-01, IG-100)

FM Approved: Oxeo PR LCP; IG-01, IG-100

3. TECHNICAL DATA

Specifications

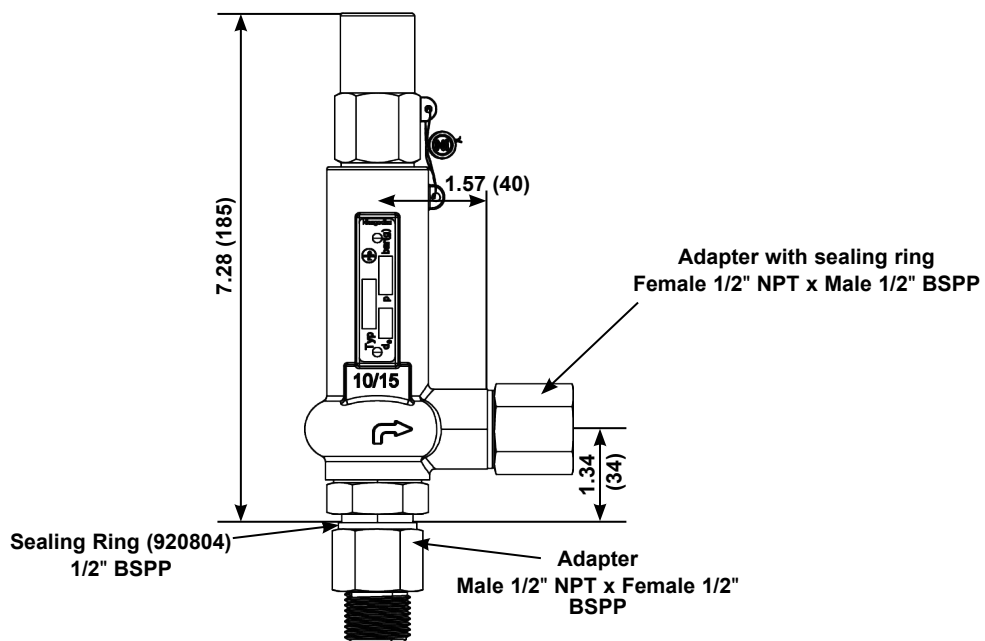
Type: 1.1 C
 Operating medium: Argon (IG-01), Nitrogen (IG-100)
 Response pressure: 2901 psi (200 bar) at 122 °F (+50 °C)
 Valve seat: metal seal
 Thread: G1/2 ISO228 converted to 1/2" NPT
 Orientation of device: Vertical



| Designation | Part no. | Weight |
|--------------------------|----------|---------------------|
| Safety Valve 2901 psi | 885136D | 2.2 lbs (1.0 kg) |

WARNING: Cancer and Reproductive Harm-
www.P65Warnings.ca.gov

**Figure 1: Dimensions
Inches (mm)**





TECHNICAL DATA

**OXEO MANIFOLD
PRESSURE RELIEF
2901 PSI (200 BAR)**

The Viking Corporation | 210 N Industrial Park Drive | Hastings MI 49058
Viking Special Hazards | Technical Services: 877-384-5464 | Email: techsvcs@vikingcorp.com | www.vikinggroupinc.com
The technical data described herein is for components of the Viking Oxeo PR Fire Extinguishing Systems.
Visit the Viking website for the latest edition of the technical data and system manuals.

Figure 2: Replacement Parts

