



TECHNICAL DATA

ELECTRICAL RELEASE QRV MONITOR DEVICE

The Viking Corporation | 210 N Industrial Park Drive | Hastings MI 49058

Viking Special Hazards | Technical Services: 877-384-5464 | Email: techsvcs@vikingcorp.com | www.vikinggroupinc.com

The technical data described herein is for components of the Viking Oxeo PR Fire Extinguishing Systems.

Visit the Viking website for the latest edition of the technical data and system manuals.

1. DESCRIPTION / FUNCTION

The electrical release QRV monitoring device makes it possible to monitor the electrical activation device on the QRV valve. If the monitoring device is not properly installed, the limit switch sends a signal to the equipment room of the extinguishing system. As a result, an insufficient or incorrect assembly of the electrical activation device is signaled.

The monitoring device is exclusively used in stationary argon (IG-01) and nitrogen (IG-100) fire extinguishing systems according to the project specific system scheme for the monitoring of the electrical activation device. The monitoring must only be used within the specified parameters and in accordance with the Authorities Having Jurisdiction.

2. LISTINGS AND APPROVALS



cULus Listed - EX5248 (Oxeo PR LCP, IG-01, IG-100)



FM Approved: Oxeo PR LCP; IG-01, IG-100

3. TECHNICAL DATA

Specifications

Limit switch type: PS226-Z11-R200

Housing: plastic, glass-fiber-reinforced

Protection class according to DIN 40050: IP66, IP67 according to IEC 60529

Contacts: 1 NC, 1 NO

Ambient temperature: -4 °F to 122 °F (-20 °C to +50 °C)

Switch system: Spring control, actuator type C to DIN EN 50047 (roller plunger R200)

Utilization category:

- AC-15: 240 VAC / 3 A
- DC-13: 24 VDC / 3 A

Dimensions (W x H x D): 3.93" x 4.72" x 3.54" (100 mm x 120 mm x 90 mm)

Tightening torque: 18.44 ± 2.95 ft-lb (25 ± 4 Nm)

Adapter included for 1/2" NPT conduit connections (all components come unassembled)



Designation	Part no.	Weight
Monitoring Release QRV	930865D	0.59 lbs (0.27 kg)



WARNING: Cancer and Reproductive Harm-
www.P65Warnings.ca.gov



TECHNICAL DATA

**ELECTRICAL RELEASE QRV
MONITOR DEVICE**

The Viking Corporation | 210 N Industrial Park Drive | Hastings MI 49058
 Viking Special Hazards | Technical Services: 877-384-5464 | Email: techsvcs@vikingcorp.com | www.vikinggroupinc.com
 The technical data described herein is for components of the Viking Oxexo PR Fire Extinguishing Systems.
 Visit the Viking website for the latest edition of the technical data and system manuals.

Figure 1: Dimension Drawing
Inches (mm)

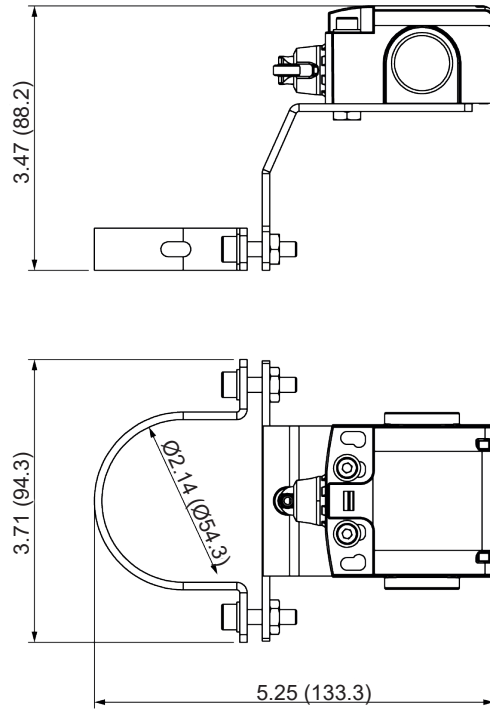
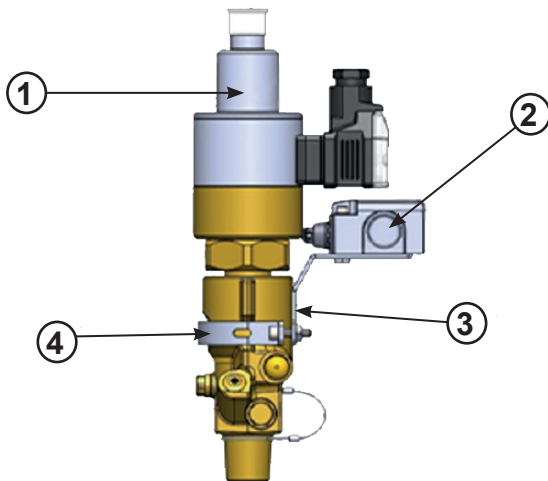


Figure 2: Mounted Monitor Device



1	Electrical Release Device
2	Limit switch PS226-Z11-R200
3	Support QRV
4	Pipe clamp QRV