



TECHNICAL DATA

**OXEO MANIFOLD
PRESSURE RELIEF
4351 PSI (300 BAR)**

The Viking Corporation | 210 N Industrial Park Drive | Hastings MI 49058
 Viking Special Hazards | Technical Services: 877-384-5464 | Email: techsvcs@vikingcorp.com | www.vikinggroupinc.com
 The technical data described herein is for components of the Viking Oxeo PR Fire Extinguishing Systems.
 Visit the Viking website for the latest edition of the technical data and system manuals.

1. DESCRIPTION / FUNCTION

The Oxeo manifold pressure relief devices operate to ensure the safety of the Oxeo inert gas fire protection system. The pressure reliefs are installed in-line with the manifold before the pressure reducer to ensure that the pressure does not increase to a level that would rupture the system piping.

2. LISTINGS AND APPROVALS

cULus Listed - EX5248 (Oxeo PR LCP, IG-01, IG-100)

FM Approved: Oxeo PR LCP; IG-01, IG-100

3. TECHNICAL DATA

Specifications

- Type: 1.1 C
- Operating medium: Argon (IG-01), Nitrogen (IG-100)
- Response pressure: 4351 psi (300 bar) at 122 °F (+50 °C)
- Valve seat: metal seal
- Thread: G1/8 ISO228 converted to 1/2" NPT
- Orientation of device: Vertical

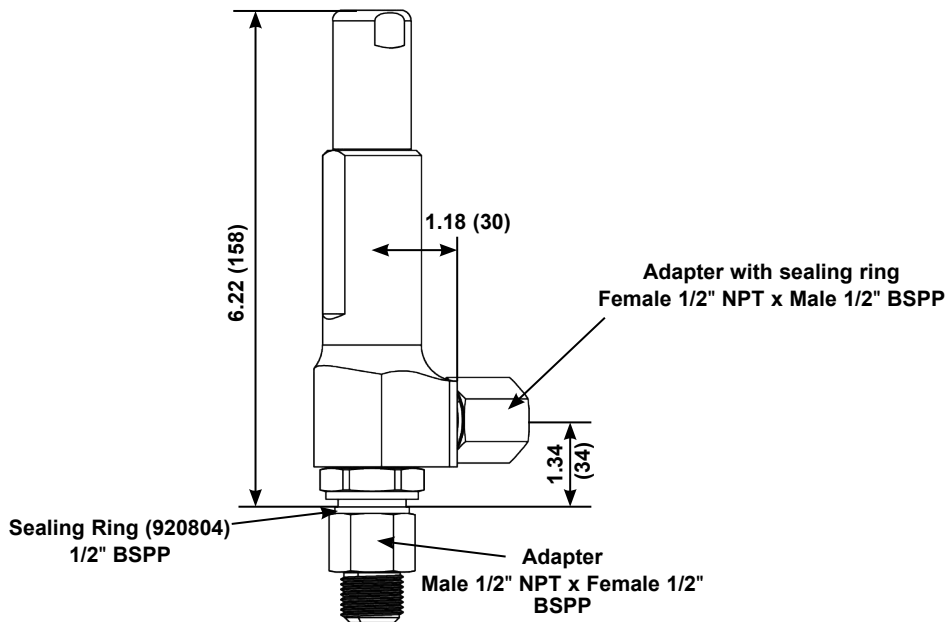
Safety valve according to Pressure Equipment Directive 97/23/EC Category IV



Designation	Part no.	Weight
Safety Valve 4351 psi	886281D	3.1 lbs (1.4 kg)

WARNING: Cancer and Reproductive Harm-
www.P65Warnings.ca.gov

**Figure 1: Dimensions
Inches (mm)**





TECHNICAL DATA

**OXEO MANIFOLD
PRESSURE RELIEF
4351 PSI (300 BAR)**

The Viking Corporation | 210 N Industrial Park Drive | Hastings MI 49058
Viking Special Hazards | Technical Services: 877-384-5464 | Email: techsvcs@vikingcorp.com | www.vikinggroupinc.com
The technical data described herein is for components of the Viking Oxeo PR Fire Extinguishing Systems.
Visit the Viking website for the latest edition of the technical data and system manuals.

