



UNITED BRASS WORKS, INC.

714 S. Main St. Randleman, N.C. 27317

Tel: 800-334-3035 Fax: 800-498-4696 www.ubw.com



Model 18 Gate Valve

**Bronze Screwed Ends
Outside Screw & Yoke**

UL *UL Listed / FM Approved @ 175 lbs. WOG*

200 WOG @ 180 ° Max

100% Pressure Tested

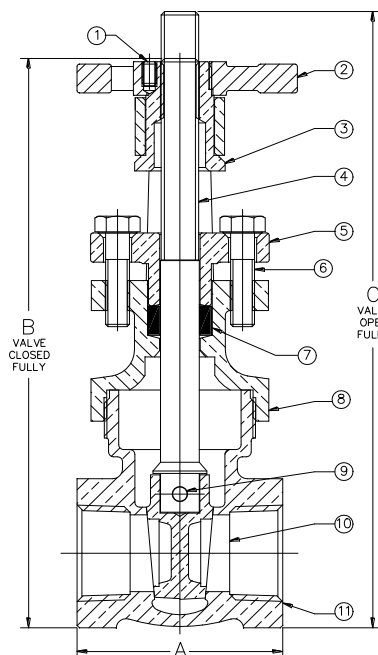
Rising Stem

MEA Approval 255-93-E

Contains Lead. Not For Use in Potable Water Systems

MATERIAL LIST

| NO. | DESCRIPTION | MATERIAL |
|-----|---------------|-----------------|
| 1 | Set Screw | Steel |
| 2 | Hand Wheel | Iron |
| 3 | Yoke Bushing | Brass |
| 4 | Stem | Brass |
| 5 | Packing Gland | Brass |
| 6 | Cap Screw | Steel |
| 7 | Packing | NAFG |
| 8 | Bonnet | Bronze |
| 9 | Spiral Pin | Stainless Steel |
| 10 | Wedge | Bronze |
| 11 | Body | Bronze |



| Size | A | B | C | Ship Wgt. (lbs.) | Qty. Unit Pack | Qty. Per Case |
|--------|------|------|-------|------------------|----------------|---------------|
| 1 | 2.55 | 6.55 | 7.97 | 3.85 | 6 | 18 |
| 1 1/4" | 2.81 | 7.61 | 9.47 | 6.26 | 2 | 12 |
| 1 1/2" | 2.86 | 7.84 | 9.75 | 6.55 | 2 | 6 |
| 2" | 3.09 | 8.88 | 11.22 | 9.96 | 2 | 6 |