



Section M
Dry Pipe Systems

TABLE OF CONTENTS

Dry Pipe System (Model G)..... M-1
Dry Pipe System (Model F) M-2
Accelerators / Air Maintenance Devices M-3
Accessories and Components..... M-4

Notes

1. Refer to Viking technical data pages for complete product specifications. You may print or download technical data by visiting www.vikinggroupinc.com.
2. List prices effective May 31, 2021. Supersedes January 2021 list price book.
3. All sales by Viking are subject to the Terms & Conditions found on the last page of this book.

Model G Dry System (Pre-Assembled) - EXTERNALLY RESETTABLE VALVE



Model G Dry System - EXTERNAL RESET	
<i>Complete, pre-assembled dry valve and trim includes the following:</i>	
- Model G Dry Valve	
- Model G Trim Package	
- Water Supply Control Valve	
- Air Pressure Supervisory Switch (PS40-2A)	
- Alarm Pressure Switch (PS10-1A)	
- 12" (0,3 m) Section of Galvanized Schedule 10 Pipe (with Coupling)	

Model	Size	Part Number	List Price	Item Price Group
G-2000	2"	16149-1	\$9,745.83	V232
G-3000	3"	16150-1	\$10,695.79	V232
G-4000	4"	15647-1	\$11,435.66	V232
G-6000	6"	17048-1	\$13,453.71	V232

Model G Dry System - Optional Drain Manifold Assembly

Model	Size	Part Number	List Price	Item Price Group
G-2000	2"	16211	\$532.76	V232
G-3000	3"	16212	\$685.35	V232
G-4000	4"	15588	\$768.89	V232
G-6000	6"	17056	\$768.89	V232

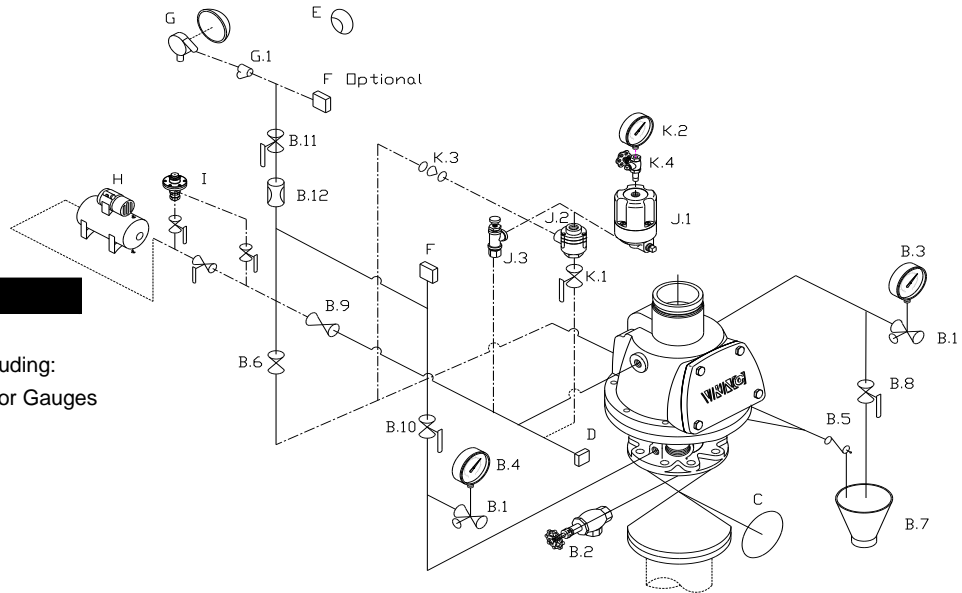
Model G Dry Systems - DOMESTIC USA OPTION				
Model	Size	Part Number	List Price	Item Price Group
G-2000	2"	16149-1USA	\$10,227.45	V232
G-3000	3"	16150-1USA	\$15,279.67	V232
G-4000	4"	15647-1USA	\$16,336.65	V232
G-6000	6"	17048-1USA	\$19,219.58	V232

See page M-2 for Viking's Model F dry valve and trim.

Model G valve also available in pre-action arrangement. See section O for details.

Domestic trim option meets sourcing requirements of the Buy American Act, American Reinvestment and Recovery Act, and the Buy America Law.

Model F-1 Dry System



Description

- A Model F-1 Dry Pipe Valve
- B Model F-1 Dry Valve Trim including:
 - B.1 Side Outlet Globe Valve for Gauges
 - B.2 Angle Valve
 - B.3 Air Gauge
 - B.4 Water Gauge
 - B.5 Drip Check Valve
 - B.6 Drain Check Valve
 - B.7 Drain Cup
 - B.8 Priming Water Test Valve
 - B.9 1/2" / DN15 Spring Loaded Check Valve
 - B.10 Alarm Test Valve
 - B.11 Alarm Shut-Off Valve
 - B.12 7/32" / 5mm Restricted Orifice
- C Water Supply Control Valve
- D Air Pressure Supervisory Switch
- E Electric Alarm Bell
- F Alarm Pressure Switch
- G Model F-2 Water Motor Alarm (inc G.1 Y-strainer)
- H Maintenance Air Compressor

Description (continued)

- I Model D-2 Air Maintenance Device and Trim
- J Accelerator / Anti-Flood Package including:
 - J.1 Model E-1 Accelerator
 - J.2 Model B-1 Anti-Flood Device
 - J.3 Model B-1 Float Check Valve Assembly
- K Accelerator / Anti-Flood Trim including:
 - K.1 1/2" / DN15 Anti-Flood Isolation Valve
 - K.2 Air Gauge
 - K.3 1/2" / DN15 Swing Check Valve
 - K.4 Side Outlet Valve for Accelerator Gauge

Trims include indented items immediately following.

Flange / Flange (Model F-1) Dry Valve

Size	Valve (only)		Loose Trim ¹ (galvanized)		Modular Trim ¹ (galvanized)		Valve/Trim (pre-trimmed)	
IPG	V228		V229		V230		V231	
3"	09441	\$4,887.57	10158	\$1,903.54	10158P	\$2,271.85	09441PT	\$7,154.52
4"	07628	\$5,477.86	08395	\$1,944.92	08395P	\$2,313.63	07628PT	\$6,867.56
6"	08464	\$6,849.15	09456	\$1,944.92	09456P	\$2,313.63	08464PT	\$7,608.58

Flange / Groove (Model F-1) Dry Valve

Size	Valve (only)		Loose Trim ¹ (galvanized)		Modular Trim ¹ (galvanized)		Valve/Trim (pre-trimmed)	
IPG	V228		V229		V230		V231	
3"	09446	\$4,887.57	10158	\$1,903.54	10158P	\$2,271.85	09446PT	\$7,267.02
4"	07627	\$5,477.86	08395	\$1,944.92	08395P	\$2,313.63	07627PT	\$7,901.76
6"	08491	\$6,849.15	09456	\$1,944.92	09456P	\$2,313.63	08491PT	\$9,279.64

Groove / Groove (Model F-2) Dry Valve

Size	Valve (only)		Loose Trim ¹ (galvanized)		Modular Trim ¹ (galvanized)		Valve/Trim ² (pre-trimmed)	
IPG	V228		V229		V230		V231	
3"	13764	\$4,887.57	10158	\$1,903.54	10158P	\$2,271.85	13764PTR	\$8,180.02
4"	13765	\$5,477.86	08395	\$1,944.92	08395P	\$2,313.63	13765PTR	\$8,661.18
6"	13766	\$6,849.15	09456	\$1,944.92	09456P	\$2,313.63	13766PTR	\$10,104.71

(1) Trim includes dry valve accessory pkg (p/n 08397). See page M-4 for details.

(2) Pre-assembled with nipples, fittings, water supply control valve, switches, and gauges. See tech data F_122216 for details.


Size	DOMESTIC TRIM ^{1,2}	
IPG	V229	
3"	10158USA	\$2,719.32
4"	08395USA	\$2,778.51
6"	09456USA	\$2,778.51


(2) Meets sourcing requirements of the Buy American Act, American Reinvestment and Recovery Act, and Buy American Law.

See page M-3 for accelerators and air maintenance devices. See page M-4 for additional accessories.

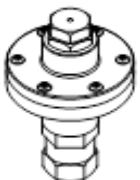

Accelerators / Air Maintenance Devices

Accelerator / Anti-Flood Packages (and Trim)


Accelerator (D-2) 		Accelerator Trim (Model D-2) <i>(Galvanized)</i>	
<u>Model D-2</u> 09881	<u>List Price</u> \$2,147.57	<u>Model D-2</u> 09730	<u>List Price</u> \$499.29
		DOMESTIC¹	
<u>Model D-2</u> 09730USA	<u>List Price</u> \$665.73		
V226		V222	

Accelerator (E-1) / Anti-Flood Device (B-1) 		Accelerator / Anti-Flood Trim (galvanized)	
<u>E-1 Accelerator (only)</u> 08055	\$1,788.97	STANDARD	DOMESTIC¹
<u>B-1 Anti-Flood device (only)</u> 08061	\$1,031.48	<u>Part #</u> 08264	<u>List Price</u> \$717.85
<u>Accelerator/Anti-Flood Package</u> (include E-1 and B-1)		<u>Part #</u> 08264USA	<u>List Price</u> \$957.12
08116 \$2,117.86		Includes: - Air Gauge - ½" / 15mm Anti-Flood Isolation Vlv - ½" / 15mm Swing Check Valve - Nipples, Fittings, Plugs - Float Check Valve	
Use only with tank-mounted air compressor and listed air maintenance device		Use with Model-F dry valve, Model-F dry valve trims, accelerator/anti-flood package	
V226		V222	

Air Maintenance Device (and trim) - IPG V226

Model D-2 - Air Pressure Maintenance Device 				Model D-2 - Air Pressure Maintenance Device 				
<u>Size</u> ¼" / DN8	<u>Part #</u> 02280C	<u>List Price</u> \$854.17				<u>Size</u> ½" / DN15	<u>Part #</u> 07459	<u>List Price</u> \$1,501.01
			DOMESTIC¹			<u>Size</u> ½" / DN15	<u>Part #</u> 07459USA	<u>List Price</u> \$2,001.33
			Filter Kit			<u>Part #</u> 03007A	<u>List Price</u> \$53.29	
V226			V226			V249		

Air Compressor - IPG V226

Model G-1 Maintenance Air Compressor <i>(includes mounting bracket)</i> 			
	Model	Part #	List Price
	115V single phase, 60 Cycle AC - Service Factor Amperage: 7.4, Factory Wired 115 V	19191	\$4,151.36
	230V single phase, 60 Cycle AC - Service Factor Amperage: 3.7, Factory Wired 230 V	19192	\$4,168.15
	230V single phase, 50 Cycle AC - Service Factor Amperage: 2.6, Factory Wired 230 V	19193	\$3,975.13

(1) Meets sourcing requirements of Buy American Act, American Reinvestment and Recovery Act, and Buy American Law.

Accessories (Included with standard dry valve trim)

Model G Optional Drain Manifold Assembly				Dry Valve Accessory Package											
				Includes: - Drip Check Valve - Drain Cup - Valve Reset Bar - 7/32" / 5mm Restricted Orifice - 1/2" / 15mm Spring Loaded Check Valve - 1/4" / 8mm Restricted Orifice - Tubing Connector											
V232				IPG V226											
Model	Size	Part Number	List Price	Part Number	List Price	Part Number	List Price								
G-2000	2"	16211	\$532.76	08397	\$705.44										
G-3000	3"	16212	\$685.35												
G-4000	4"	15588	\$768.89												
G-6000	6"	17056	\$768.89												
Water Gauge 0-300 psi (2,068 kPa)				Air Gauge 0-80 psi (554 kPa)											
 1/4" / DN8 VWATERSF \$27.45 SR295				 1/4" / DN8 VAIRSF \$27.45 SR295											
Alarm Test/Alarm Shut-Off Valve (1/2" Ball Valve)				Drain Cup											
 1/2" / DN15 10355USA \$38.89 V226				 1 1/2" / DN40 01019B \$21.65 V226											
Drip Check Valve - Model D-3 Velocity Check				Dry Valve Wrench & Reset Bar											
 3/4" / DN20 10732 \$200.96 V226				 02977BWB \$274.53 V226											
Restricted Orifice 1/16" / 1.5mm				Restricted Orifice 7/32" / 5mm											
 1/4" / DN8 10110 \$43.73 V226				 1/2" / DN15 06980A \$23.95 V226											
Angle Valve 1 1/2" / DN40				Anti-Column Device (Model LD-1)											
Use with 3" 03937S \$237.92 Use with 4" 126SUL-0200 \$182.08 Use with 6" 126SUL-0200 \$182.08 				 14800 \$574.89 *install in vertical position V226 Install on dry systems where potential for water column exists downstream of dry valve											
Float Check Valve (Model B-1/B-2)				Spring Loaded Check Valve (with viton disc)											
 <table border="1"> <thead> <tr> <th colspan="2">Brass - 1/2" / DN15 (B-1)</th> <th colspan="2">Corrosion Resistant (B-2)</th> </tr> </thead> <tbody> <tr> <td>12116</td> <td>\$371.64</td> <td>12084</td> <td>\$909.97</td> </tr> </tbody> </table>				Brass - 1/2" / DN15 (B-1)		Corrosion Resistant (B-2)		12116	\$371.64	12084	\$909.97	 1/2" (DN15) 12WILC \$121.70 SR140			
Brass - 1/2" / DN15 (B-1)		Corrosion Resistant (B-2)													
12116	\$371.64	12084	\$909.97												
				Anti-Column Device Trim											
				14816 \$220.06 V226											

Accessories for Model B-1 Accelerator

Glass Strut Head (for Model B-1 accelerator)		Drip Check Valve (Model D-2) (for Model B-1 accelerator)	
 03226C \$80.04 V249	 10731 \$314.25 V226		