



**Section P**  
**Flow Control and Pressure Regulation**

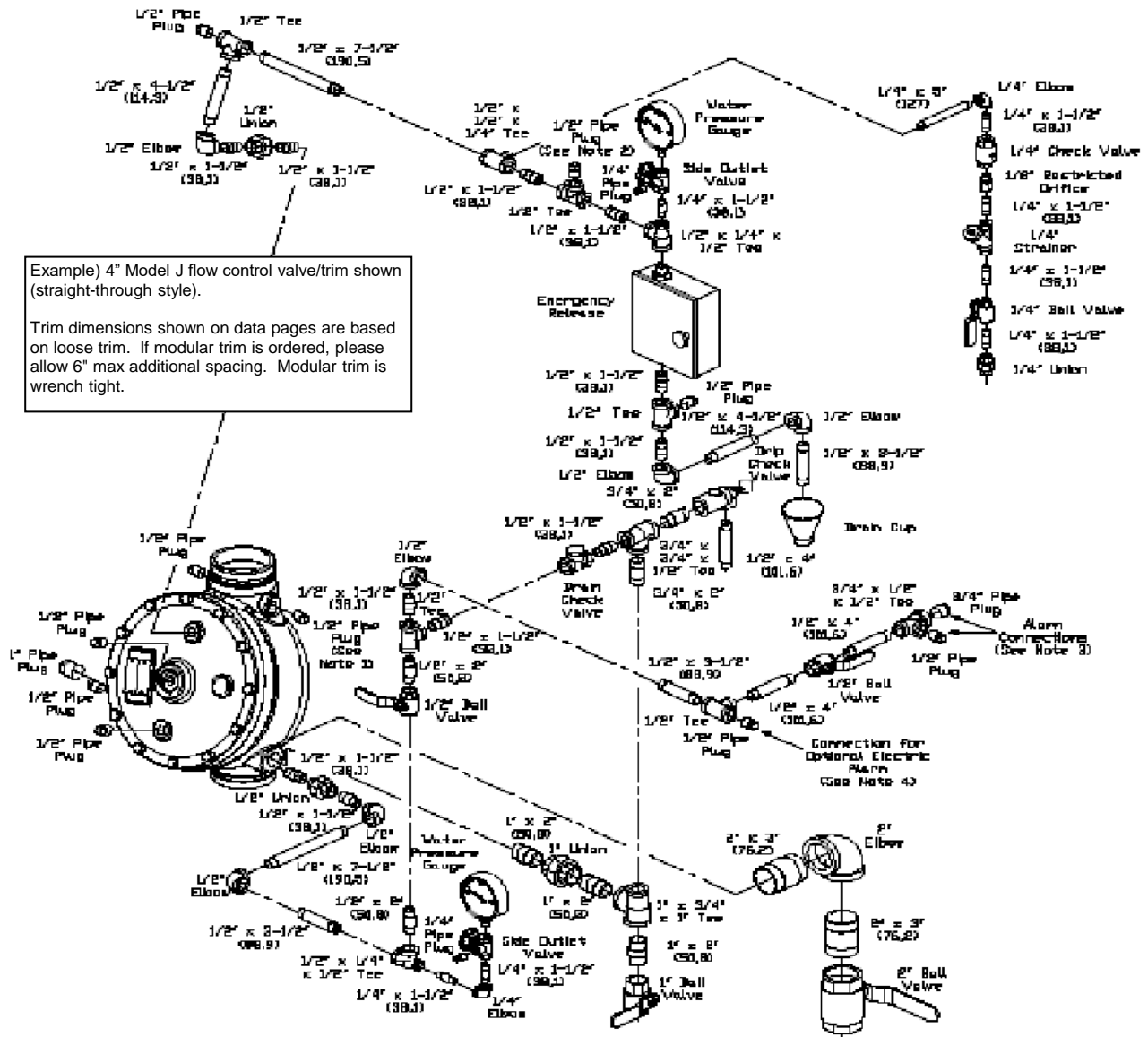
**TABLE OF CONTENTS**

Flow Control System .....	P-1 – P-2
Pressure Regulation System.....	P-3
Alarm Devices.....	P-4
Pilot Operated Pressure Control Valves / Trim .....	P-5 – P-6
Special Valves and Trim (Halar® coated valves, brass trim, etc.) .....	P-7 – P-9

**Notes**

1. Refer to Viking technical data pages for complete product specifications. You may print or download technical data by visiting [www.vikinggroupinc.com](http://www.vikinggroupinc.com).
2. List prices effective May 31, 2021. Supersedes January 2021 list price book.
3. All sales by Viking are subject to the Terms & Conditions found on the last page of this book.

**Flow Control System**



**Model J Flow Control Valve\* - STRAIGHT THROUGH**

IPG 244	1-1/2"	2"	2-1/2"	3"	4"	6"	8"
Thread X Thread	<u>12130</u> \$4,428.40	<u>12063</u> \$4,570.60	<u>12405</u> \$5,794.46	N/A	N/A	N/A	N/A
Flange X Flange	N/A	N/A	N/A	<u>12016</u> \$5,794.46	<u>11968</u> \$7,301.58	<u>11970</u> \$9,749.27	<u>11993</u> \$21,004.07
Flange X Groove	N/A	N/A	N/A	<u>12020</u> \$5,794.46	<u>11967</u> \$7,301.58	<u>11969</u> \$9,749.27	N/A
Groove X Groove	<u>12129</u> \$4,428.40	<u>12061</u> \$4,570.60	<u>12407</u> \$5,794.46	<u>12024</u> \$5,794.46	<u>11516</u> \$7,301.58	<u>11527</u> \$9,749.27	<u>11019</u> \$18,411.83

**Model H Flow Control Valve\* - ANGLE STYLE**

IPG 244.1	1-1/2"	2"	3"	4"	6"
Thread X Thread	<u>09894</u> \$2,151.08	<u>05856C</u> \$4,920.38	N/A	N/A	N/A
Flange X Flange	N/A	N/A	<u>05914C</u> \$6,237.91	<u>05911C</u> \$7,860.34	<u>05908C</u> \$10,495.37
Flange X Groove	N/A	N/A	<u>05837C</u> \$6,237.91	<u>05841C</u> \$7,860.34	<u>05458C</u> \$10,495.37

See page P-7-8 for additional valve and trim options, including Halar® coated valves, horizontal trim, and brass trim packages.

\* Valve is not included in trim packages. Please order separately. See following page for trim packages and equipment.

**Flow Control System**

TrimPac® V234	1-1/2"	2"	2-1/2"	3"	4"	6"	8"
Angle/Straight-Through <i>(includes release / trim)</i>	12252C-1 \$5,287.42	12252C-1 \$5,287.42	12252C-1 \$5,287.42	12252C-1 \$5,287.42	12252C-1 \$5,287.42	12252C-1 \$5,287.42	12252C-1 \$5,287.42

TrimPac includes conventional trim, releasing device (solenoid valve), releasing trim, and flexible hose kit.  
Drain package for TrimPac must be ordered separately (see below).

**Drain Package (IPG V257)**

Use with TrimPac® <i>(order separately)</i>	11894-1 \$616.09	11894-2 \$498.33	11894-3 \$564.74	11894-3 \$564.74	11894-4 \$724.81	11894-4 \$724.81	11894-4 \$724.81
--	---------------------	---------------------	---------------------	---------------------	---------------------	---------------------	---------------------

1-1/2"	2"	2-1/2"	3"	4"	6"	8"
--------	----	--------	----	----	----	----

**Vertical Trim (Straight Through) - Galvanized (IPG V245)**

Loose Trim <i>(incl. accessory pkg-09316)</i>	12418-1 \$3,198.87	12418-1 \$3,198.87	12306-1 \$3,015.54	12306-1 \$3,015.54	11719-1 \$3,200.31	11720-1 \$3,200.31	14708-1 \$3,793.33
Modular Trim <i>(incl. accessory pkg-09316)</i>	12418-1P \$3,552.28	12418-1P \$3,552.28	12306-1P \$3,368.94	12306-1P \$3,368.94	11719-1P \$3,553.67	11720-1P \$3,553.67	14708-1P \$4,148.34

**Vertical Trim (Angle Style) - Galvanized (IPG V245)**

Loose Trim <i>(incl. accessory pkg-09316)</i>	14702-1 \$3,349.78	14703-1 \$3,087.28	N/A	14704-1 \$3,157.80	14705-1 \$3,351.25	14706-1 \$3,351.25	N/A
Modular Trim <i>(incl. accessory pkg-09316)</i>	14702-1P \$3,714.67	14703-1P \$3,358.86	N/A	14704-1P \$3,522.71	14705-1P \$3,716.15	14706-1P \$3,716.15	N/A

1-1/2"	2"	2-1/2"	3"	4"	6"	8"
--------	----	--------	----	----	----	----

**Releasing Devices (IPG V240)**

Solenoid Valve	11601 \$1,122.87	11601 \$1,122.87	11601 \$1,122.87	11601 \$1,122.87	11601 \$1,122.87	11601 \$1,122.87	11601 \$1,122.87
----------------	---------------------	---------------------	---------------------	---------------------	---------------------	---------------------	---------------------

**Releasing Trim - Galvanized (IPG V238)**

Loose Trim <i>(releasing device not incl.)</i>	10830 \$117.03	10830 \$117.03	10830 \$117.03	10830 \$117.03	10830 \$117.03	10830 \$117.03	10830 \$117.03
Modular Trim <i>(releasing device not incl.)</i>	10830P \$505.16	10830P \$505.16	10830P \$505.16	10830P \$505.16	10830P \$505.16	10830P \$505.16	10830P \$505.16
Loose Trim - DOMESTIC <i>(releasing device not incl.)</i>	10830USA \$156.01	10830USA \$156.01	10830USA \$156.01	10830USA \$156.01	10830USA \$156.01	10830USA \$156.01	10830USA \$156.01

Trim packages include flow control accessory package listed below (p/n 10685) - see package detail below

See page P-7/8 for additional valve and trim options, including Halar® coated valves, horizontal trim, and brass trim packages.

Flow Control Valve Accessory Package (INCLUDED WITH TRIM)		
<i>(all sizes)</i>	10685	\$2,589.21
corrosion resistant	09743	\$3,611.24
Includes:		
- 1/8" Restricted Orifice		
- Emergency Release		
- Drip Check		
- 1/4" / 8mm Check Valve		
- 1/4" / 8mm Strainer		
- Drain Cup		
- 1/2" Ball Valve		
- Drain Check		
IPG V226		

TrimPac® - Air Line Trim		
<i>(not for use with Deluge TrimPac System)</i>		
Tank Mounted	13770	\$2,061.27
Tankless	13771	\$726.75
IPG V234		
TrimPac® - Replacement Hose		
PVC drain hose	12071	\$164.17
IPG V234		
TrimPac® - Riser Mounting Kit		
<i>(use when mounting TrimPac unit to riser)</i>		
Vertical	11900	\$1,140.03
Horizontal	11901	\$1,567.62
IPG V234		

**Pressure Regulation**

Viking's pressure regulation trim packages include both conventional trim (deluge or flow control) and pilot regulator trim, as well as the speed control needle valve and pilot pressure regulating valve. Pilot regulator trim is no longer available separately. To order a complete pressure regulation system, first order a deluge or flow control valve, then the appropriate pressure regulation trim listed below, and finally your desired releasing device and trim.

**Pressure Regulating Trim for DELUGE/PREACTION SYSTEMS (includes conventional trim)**

	1-1/2"	2"	2-1/2"	3"	4"	6"	8"
<b>For Straight Through Valves - Vertical/Galvanized Trim (IPG V250)</b>							
<u>Loose Trim</u>	<u>14746-1</u> \$6,855.73	<u>14746-1</u> \$6,855.73	<u>14747-1</u> \$6,926.61	<u>14747-1</u> \$6,926.61	<u>14748-1</u> \$7,245.02	<u>14749-1</u> \$7,233.15	<u>14713-1</u> \$7,243.38
<u>Modular Trim</u>	<u>14746-1P</u> \$7,304.79	<u>14746-1P</u> \$7,304.79	<u>14747-1P</u> \$7,376.80	<u>14747-1P</u> \$7,376.80	<u>14748-1P</u> \$7,700.11	<u>14749-1P</u> \$7,988.05	<u>14713-1P</u> \$7,998.85

**For Angle Style Valves - Vertical/Galvanized Trim (IPG V236)**

<u>Loose Trim</u>	N/A	<u>14715-1</u> \$7,008.43	N/A	<u>14716-1</u> \$7,031.31	<u>14717-1</u> \$7,275.52	<u>14718-1</u> \$7,499.43	N/A
<u>Modular Trim</u>	N/A	<u>14715-1P</u> P.O.A.	N/A	<u>14716-1P</u> P.O.A.	<u>14717-1P</u> \$8,245.98	<u>14718-1P</u> \$8,268.97	N/A

**Pressure Regulating Trim for FLOW CONTROL SYSTEMS (includes conventional trim)**

	1-1/2"	2"	2-1/2"	3"	4"	6"	8"
<b>For Straight Through Valves - Vertical/Galvanized Trim (IPG V238)</b>							
<u>Loose Trim</u>	<u>14768-1</u> \$7,233.07	<u>14768-1</u> \$7,233.07	<u>14769-1</u> \$7,307.87	<u>14769-1</u> \$7,307.87	<u>14770-1</u> \$7,643.78	<u>14771-1</u> \$7,631.27	<u>14772-1</u> \$7,642.07
<u>Modular Trim</u>	<u>14768-1P</u> \$7,589.87	<u>14768-1P</u> \$7,589.87	<u>14769-1P</u> \$7,664.67	<u>14769-1P</u> \$7,664.67	<u>14770-1P</u> \$8,000.57	<u>14771-1P</u> \$7,988.05	<u>14772-1P</u> \$7,998.85

**For Angle Style Valves - Vertical/Galvanized Trim (IPG V238)**



<u>Loose Trim</u>	N/A	<u>14764-1</u> \$7,599.57	N/A	<u>14765-1</u> \$7,624.39	<u>14766-1</u> \$7,856.11	<u>14767-1</u> \$7,912.19	N/A
<u>Modular Trim</u>	N/A	<u>14764-1P</u> P.O.A.	N/A	<u>14765-1P</u> \$7,987.90	<u>14766-1P</u> \$8,219.62	<u>14767-1P</u> P.O.A.	N/A

**Releasing Devices (IPG V240)**

	1-1/2"	2"	2-1/2"	3"	4"	6"	8"
<u>Solenoid Valve</u>	<u>11601</u> \$1,122.87	<u>11601</u> \$1,122.87	<u>11601</u> \$1,122.87	<u>11601</u> \$1,122.87	<u>11601</u> \$1,122.87	<u>11601</u> \$1,122.87	<u>11601</u> \$1,122.87

**Releasing Trim - Galvanized (IPG V238)**

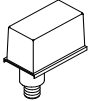

<u>Loose Trim</u> (releasing device not incl.)	<u>10830</u> \$117.03	<u>10830</u> \$117.03	<u>10830</u> \$117.03	<u>10830</u> \$117.03	<u>10830</u> \$117.03	<u>10830</u> \$117.03	<u>10830</u> \$117.03
<u>Modular Trim</u> (releasing device not incl.)	<u>10830P</u> \$505.16	<u>10830P</u> \$505.16	<u>10830P</u> \$505.16	<u>10830P</u> \$505.16	<u>10830P</u> \$505.16	<u>10830P</u> \$505.16	<u>10830P</u> \$505.16

<u>Speed Control Assembly</u> use with conventional trim	IPG V244	<u>Pilot Pressure Regulating Valve (C-2)</u>	<u>Speed Control Valve</u>
		 10799 \$1,419.88	08313 \$481.88
Galvanized 08780 \$1,852.03		IPG V244	IPG V249
Stainless Steel 11192 \$10,898.31			<u>Y Strainer</u>
Brass 11181 \$2,182.13			1/2" / 15mm 01054A \$143.92
			IPG V226

See page P-7/8 for additional valve and trim options, including Halar® coated valves, horizontal trim, and brass trim packages.

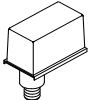

**Alarm Devices**

**Alarm Pressure Switch - SR020**

<u>Adjustable Range (4-20 psi)</u> 1/2" / DN50 Single SPDT PS101A \$235.92 Dual SPDT PS102A \$284.20 * Manufactured by Potter			<u>Explosion Proof</u> Dual SPDT PS10-EX \$1,505.48 Dual SPDT PS40EX \$1,505.48 * Cenelec approved		
					
<u>Pressure Adj Access Key</u> 10600 \$32.06			<u>Cover Removal Key</u> 10601 \$32.06		

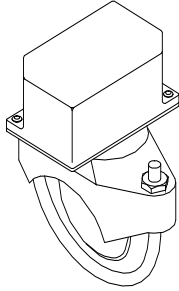
\* Appropriate hex keys included with switches.

**Pressure Supervisory Switch (Air, Nitrogen, Water) - IPG SR020**


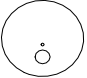
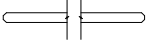
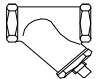

<u>Adjustable Range (10-175 psi)</u> 1/2" / DN50 Single SPDT PS401A \$235.92 Dual SPDT PS402A \$284.20 * Manufactured by Potter			<u>Explosion Proof</u> Dual SPDT 10379 \$2,112.54 * Cenelec approved		
					
<u>Cover Tamper Switch Kit</u> 09601 \$163.98			<u>Pressure Adj Access Key</u> 10600 \$32.06		
			<u>Cover Removal Key</u> 10601 \$32.06		

\* Appropriate hex keys included with switches.

**Flow Switch - SR010**

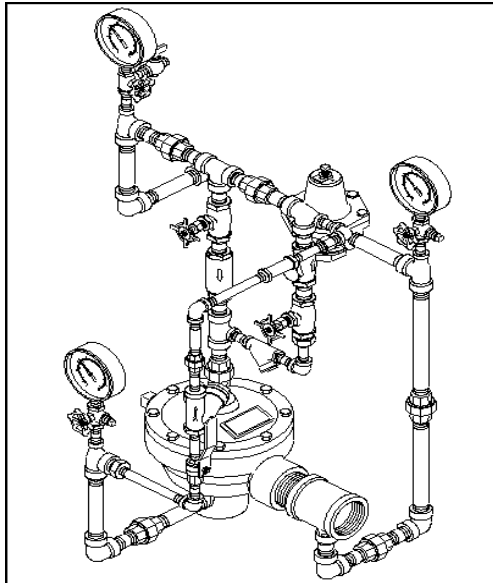
<u>Waterflow Indicators</u> (adjustable retard up to 120 sec. - 2 SPDT contacts) Model VSR			
1-2" / DN40	VSRF0100	\$342.31	
2" / DN50	VSRF0200	\$371.02	
2½" / DN65	VSRF0250	\$371.02	
3" / DN80	VSRF0300	\$371.02	
3½" / DN90	VSRF0350	\$371.02	
4" / DN100	VSRF0400	\$371.02	
5" / DN125	VSRF0500	\$371.02	
6" / DN150	VSRF0600	\$371.02	
8" / DN200	VSRF0800	\$415.19	

**Water Motor Alarm and Accessories - IPG V226**

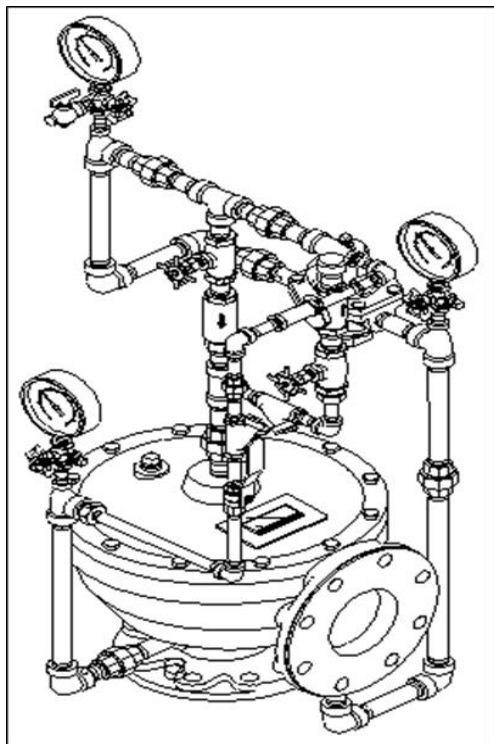
<u>Water Motor Alarm</u>  Model F-2 07862 \$728.68		<u>Closure Plate</u>  05820B \$148.72	
<u>Adjustable Shaft</u> (wall thickness up to 30-1/4 in / 768 mm)  03312B \$142.69		<u>Alarm Line Y Strainer</u>  ¾" (DN20) 01489A \$216.98	
<u>Extension Cup</u>  05957B \$118.98			

**Pilot Operated Pressure Control Valves**

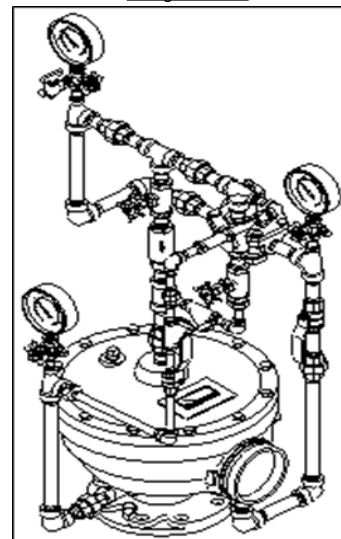
Threaded



Flange/Flange



Flange/Groove



DESCRIPTION	NOMINAL SIZE	PART NUMBER	LIST PRICE (each)	
<b>PILOT OPERATED PRESSURE CONTROL VALVES</b> Includes Trim	Use with Angle Style Valve			
	Model A-2 Galvanized Model A-3 Brass Model A-4 Stainless Steel			
	Threaded	<b>Model A-2</b> 2" / DN50	10793	\$13,522
	Flange/Flange	<b>Model A-2</b> 4" / DN100	10795	\$13,522
		6" / DN150	10807	\$15,952
	PN10/16	DN100	10795FFPN1016	\$13,522
		DN150	10807FFPN1016	\$15,952
	PN10/16	<b>Model A-3</b> 4" / DN100	10803	\$27,038
		6" / DN150	11476	\$32,404
	PN10/16	DN100	10803FFPN1016	\$27,038
DN150		11476FFPN1016	\$32,404	
Flange/Groove	<b>Model A-2</b> 4" / DN100	10794	\$13,522	
	6" / DN150	10806	\$15,952	
IPG V244	<b>Model A-3</b> 4" / DN100	10802	\$26,802	
	6" / DN150	11475	\$32,160	

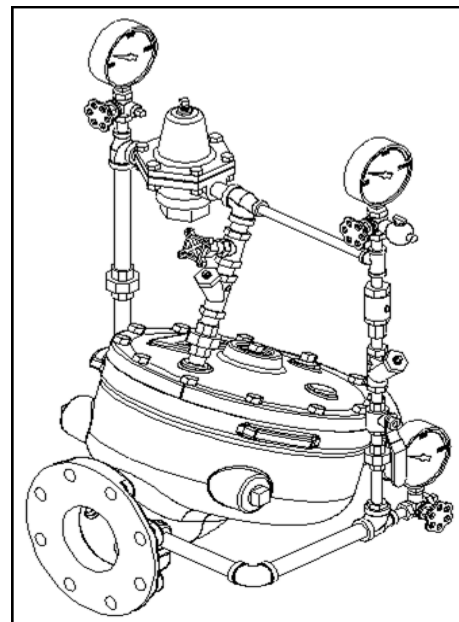
<sup>1</sup> Not UL Listed. Use for Deluge Applications Only.

**Pilot Operated Pressure Control Valves**

DESCRIPTION	Nominal Size	Part No.	List Price
<b>Pilot Operated Pressure Control Valves</b>	Use with Straight Through Valves		
Includes trim UL Listed/FM Approved			
<b>Model B-1</b>	Vertical		
<b>Threaded</b>	Galvanized 2" / DN50	12793	\$6,307
<b>Flange/Flange</b>	4" / DN100 6" / DN150 8" / DN200	12802 12805 12807	\$14,258 \$18,331 \$22,996
<b>Flange/Groove</b>	4" / DN100 6" / DN150	12801 12804	\$14,228 \$18,150
<b>Groove/Groove</b>	1½" / DN40 2" / DN50	12792 12794	\$6,227 \$6,307
IPG V238	Horizontal		
<b>Threaded</b>	Galvanized 4" / DN100 6" / DN150 8" / DN200 1½" / DN40 2" / DN50	12800 12803 12806 12774 12776	\$9,156 \$18,040 \$21,978 \$6,215 \$6,294
<b>Flange/Flange</b>	4" / DN100 6" / DN150 8" / DN200	12785 12788 12790	\$8,262 \$18,335 \$23,001
<b>Flange/Groove</b>	4" / DN100 6" / DN150	12784 12787	\$8,726 \$18,153
<b>Groove/Groove</b>	1½" / DN40 2" / DN50 4" / DN100 6" / DN150 8" / DN200	12775 12777 12783 12786 12789	\$6,215 \$6,294 \$9,177 \$18,043 \$21,983
IPG V238			

DESCRIPTION	Nominal Size	Part No.	List Price
<b>Pilot Operated Pressure Control Valves</b>	Use with Straight Through Valves		
Halar® Coated (includes trim) UL Listed/FM Approved			
<b>Model B-3</b>	Vertical		
<b>Flange/Flange</b>	Brass 4" / DN100 6" / DN150 8" / DN200	13540 13543 13545	\$44,266 \$56,771 \$70,808
<b>Flange/Groove</b>	4" / DN100 6" / DN150	13539 13542	\$44,177 \$56,220
<b>Groove/Groove</b>	1½" / DN40 2" / DN50 4" / DN100 6" / DN150 8" / DN200	13532 13533 13538 13541 13544	\$18,901 \$19,143 \$45,549 \$55,884 \$67,710
IPG V239	Horizontal		
<b>Flange/Flange</b>	Brass 4" / DN100 6" / DN150 8" / DN200	13526 13529 13531	\$26,633 \$56,919 \$71,167
<b>Flange/Groove</b>	4" / DN100 6" / DN150	13525 13528	\$26,544 \$56,367
<b>Groove/Groove</b>	1½" / DN40 2" / DN50 4" / DN100 6" / DN150 8" / DN200	13518 13519 13524 13527 13530	\$18,940 \$19,182 \$27,916 \$56,032 \$68,068
IPG V239			

**Model B-1 - Horizontal  
Flange/Flange**



**FLOW CONTROL - Special Valves and Trim**

**Halar® Coated Flow Control Valves (Model J-2 / Model H-2)**

**Straight-Through (Model J-2)**

IPG V244	1-1/2"	2"	2-1/2"	3"	4"	6"	8"
Thread X Thread	N/A	N/A	<u>12406Q/B</u> \$8,765.29	N/A	N/A	N/A	N/A
Flange X Flange	N/A	N/A	N/A	<u>12017Q/B</u> \$8,765.29	<u>11977Q/B</u> \$10,871.41	<u>11979Q/B</u> \$14,479.46	<u>11994Q/B</u> \$28,651.00
Flange X Groove	N/A	N/A	N/A	<u>12021Q/B</u> \$8,765.29	<u>11976Q/B</u> \$10,871.41	<u>11978Q/B</u> \$14,479.46	N/A
Groove X Groove	<u>12131Q/B</u> \$6,873.85	<u>12062Q/B</u> \$6,892.48	<u>12408Q/B</u> \$8,765.29	<u>12025Q/B</u> \$8,765.29	<u>11517Q/B</u> \$10,871.41	<u>11528Q/B</u> \$14,479.46	<u>11119Q/B</u> \$27,901.93

**Angle Style (Model H-2)**

IPG V244.1	1-1/2"	2"	2-1/2"	3"	4"	6"	8"
Thread X Thread	N/A	N/A	N/A	N/A	N/A	N/A	N/A
Flange X Flange	N/A	N/A	N/A	<u>08366Q/B</u> \$9,436.12	<u>08367Q/B</u> \$11,703.43	<u>08368Q/B</u> \$15,587.55	N/A
Flange X Groove	N/A	N/A	N/A	<u>11207Q/B</u> \$9,436.12	<u>11208Q/B</u> \$11,703.43	<u>11209Q/B</u> \$15,162.43	N/A

**HORIZONTAL TRIM - Flow Control**

**Galvanized (use with straight through valves)**

IPG V245	1-1/2"	2"	2-1/2"	3"	4"	6"	8"
<u>Loose Trim</u> (incl. accessory pkg-09316)	<u>12419-1</u> \$3,198.87	<u>12419-1</u> \$3,198.87	<u>12307-1</u> \$3,015.54	<u>12307-1</u> \$3,015.54	<u>11941-1</u> \$3,200.31	<u>11942-1</u> \$3,200.31	<u>14707-1</u> \$3,793.33
<u>Modular Trim</u> (incl. accessory pkg-09316)	<u>12419-1P</u> \$3,525.48	<u>12419-1P</u> \$3,525.48	<u>12307-1P</u> P.O.A.	<u>12307-1P</u> P.O.A.	<u>11941-1P</u> \$3,553.67	<u>11942-1P</u> \$3,553.67	<u>14707-1P</u> \$4,148.34

**BRASS TRIMS - Flow Control**

**Angle Style Valves**

IPG V246	1-1/2"	2"	2-1/2"	3"	4"	6"	8"
<u>Loose Trim</u> (incl. accessory pkg-09316)	<u>14702-2</u> \$5,282.22	<u>14703-2</u> \$4,922.65	N/A	<u>14704-2</u> \$5,056.08	<u>14705-2</u> \$5,533.38	<u>14706-2</u> \$5,593.53	N/A
<u>Modular Trim</u> (incl. accessory pkg-09316)	<u>14702-2P</u> P.O.A.	<u>14703-2P</u> P.O.A.	N/A	<u>14704-2P</u> P.O.A.	<u>14705-2P</u> P.O.A.	<u>14706-2P</u> P.O.A.	N/A

**Straight Through Valves - VERTICAL**

IPG V246	1-1/2"	2"	2-1/2"	3"	4"	6"	8"
<u>Loose Trim</u> (incl. accessory pkg-09316)	<u>12418-2</u> \$5,044.28	<u>12418-2</u> \$5,044.28	<u>12306-2</u> \$4,828.36	<u>12306-2</u> \$4,828.36	<u>11719-2</u> \$5,284.11	<u>11720-2</u> \$5,341.59	<u>14708-2</u> \$6,480.84
<u>Modular Trim</u> (incl. accessory pkg-09316)	<u>12418-2P</u> \$5,411.28	<u>12418-2P</u> \$5,411.28	<u>12306-2P</u> \$5,195.32	<u>12306-2P</u> \$5,195.32	<u>11719-2P</u> \$5,651.09	<u>11720-2P</u> \$5,708.56	<u>14708-2P</u> \$6,847.80

**Straight Through Valves - HORIZONTAL**

IPG V246	1-1/2"	2"	2-1/2"	3"	4"	6"	8"
<u>Loose Trim</u> (incl. accessory pkg-09316)	<u>12419-2</u> \$5,044.28	<u>12419-2</u> \$5,044.28	<u>12307-2</u> \$4,828.36	<u>12307-2</u> \$4,828.36	<u>11941-2</u> \$5,284.11	<u>11942-2</u> \$5,341.59	<u>14707-2</u> \$6,480.84
<u>Modular Trim</u> (incl. accessory pkg-09316)	<u>12419-2P</u> P.O.A.	<u>12419-2P</u> P.O.A.	<u>12307-2P</u> P.O.A.	<u>12307-2P</u> P.O.A.	<u>11941-2P</u> \$5,651.09	<u>11942-2P</u> \$5,708.56	<u>14707-2P</u> \$6,847.80



**Special Valves and Trim**

**BRASS - Releasing Trims**

IPG V239	Pneumatic	Electric Pneumatic	Electric	Pneumatic Pneumatic	<u>DOMESTIC<sup>1</sup></u> Electric
	Loose Trim <i>(releasing device not incl.)</i>	<u>10811</u> \$308.84	<u>12661-2</u> \$257.80	<u>10832</u> \$347.51	<u>12662-2</u> \$1,644.86
Modular Trim <i>(releasing device not incl.)</i>	<u>10811P</u> \$675.73	<u>126612P</u> P.O.A.	<u>10832P</u> P.O.A.	<u>126622P</u> P.O.A.	<u>10832USA-P</u> P.O.A.

(1) Meets sourcing requirements of the Buy American Act, American Reinvestment and Recovery Act, and the Buy American Law. Contact customer service for availability

**PRESSURE REGULATION - Special Trims**

Viking's new pressure regulation trim packages include both conventional trim (deluge or flow control) and pilot regulator trim, as well as the speed control needle valve and pilot pressure regulating valve. Pilot regulator trim is no longer available separately. To order a complete pressure regulation system, first order a deluge or flow control valve, then the appropriate pressure regulation trim listed below, and finally your desired releasing device and trim.

**HORIZONTAL TRIM - Pressure Regulating Trim for DELUGE/PREACTION SYSTEMS (includes conventional trim)**

	1-1/2"	2"	2-1/2"	3"	4"	6"	8"
<b>For Straight Through Valves - Horizontal/Galvanized Trim</b> (IPG V36)							
Loose Trim	<u>14750-1</u> \$6,840.35	<u>14750-1</u> \$6,840.35	<u>14751-1</u> \$6,922.09	<u>14751-1</u> \$6,922.09	<u>14752-1</u> \$7,189.51	<u>14753-1</u> \$7,134.22	<u>14714-1</u> \$7,224.24
Modular Trim	<u>14750-1P</u> P.O.A.	<u>14750-1P</u> P.O.A.	<u>14751-1P</u> P.O.A.	<u>14751-1P</u> P.O.A.	<u>14752-1P</u> \$7,527.69	<u>14753-1P</u> \$7,472.39	<u>14714-1P</u> P.O.A.

**BRASS TRIMS - Pressure Regulating Trim for DELUGE/PREACTION SYSTEMS (includes conventional trim)**

	1-1/2"	2"	2-1/2"	3"	4"	6"	8"
<b>For Straight Through Valves - Vertical/Brass Trim</b> (IPG V237)							
Loose Trim	<u>14746-2</u> \$8,585.89	<u>14746-2</u> \$8,585.89	<u>14747-2</u> \$8,842.80	<u>14747-2</u> \$8,842.80	<u>14748-2</u> \$9,478.99	<u>14749-2</u> \$9,431.73	<u>14713-2</u> \$9,430.95
Modular Trim	<u>14746-2P</u> \$8,942.62	<u>14746-2P</u> \$8,942.62	<u>14747-2P</u> \$9,199.54	<u>14747-2P</u> \$9,199.54	<u>14748-2P</u> \$9,835.70	<u>14749-2P</u> P.O.A.	<u>14713-2P</u> P.O.A.

**For Angle Style Valves - Vertical/Brass Trim** (IPG V237)

Loose Trim	N/A	<u>14715-2</u> \$9,136.62	N/A	<u>14716-2</u> \$9,104.94	<u>14717-2</u> \$9,673.03	<u>14718-2</u> \$9,795.45	N/A
Modular Trim	N/A	<u>14715-2P</u> P.O.A.	N/A	<u>14716-2P</u> \$9,215.58	<u>14717-2P</u> P.O.A.	<u>14718-2P</u> P.O.A.	N/A

**BRASS TRIMS - Pressure Regulating Trim for FLOW CONTROL SYSTEMS (includes conventional trim)**

	1-1/2"	2"	2-1/2"	3"	4"	6"	8"
<b>For Straight Through Valves - Vertical/Brass Trim</b> (IPG V239)							
Loose Trim	<u>14768-2</u> \$8,832.80	<u>14768-2</u> \$8,832.80	<u>14769-2</u> \$9,097.11	<u>14769-2</u> \$9,097.11	<u>14770-2</u> \$9,751.57	<u>14771-2</u> \$9,702.93	<u>14772-2</u> \$9,702.15
Modular Trim	<u>14768-2P</u> \$9,199.79	<u>14768-2P</u> \$9,199.79	<u>14769-2P</u> \$9,426.75	<u>14769-2P</u> \$9,426.75	<u>14770-2P</u> \$10,118.53	<u>14771-2P</u> \$9,790.21	<u>14772-2P</u> P.O.A.

**For Angle Style Valves - Vertical/Brass Trim** (IPG V239)

Loose Trim	N/A	<u>14764-2</u> \$9,399.34	N/A	<u>14765-2</u> \$9,366.78	<u>14766-2</u> \$9,951.19	<u>14767-2</u> \$10,077.14	N/A
Modular Trim	N/A	<u>14764-2P</u> P.O.A.	N/A	<u>14765-2P</u> P.O.A.	<u>14766-2P</u> P.O.A.	<u>14767-2P</u> P.O.A.	N/A

**DOMESTIC<sup>1</sup> BRASS TRIMS - Pressure Regulating Trim for FLOW CONTROL SYSTEMS (includes conventional trim)**

	1-1/2"	2"	2-1/2"	3"	4"	6"	8"
<b>For Straight Through Valves - Vertical/Brass Trim</b> (IPG V239)							
Loose Trim	N/A	N/A	N/A	N/A	<u>14770-2USA</u> \$13,002.10	<u>14771-2USA</u> \$12,937.24	<u>14772-2USA</u> \$12,936.19

(1) Meets sourcing requirements of the Buy American Act, American Reinvestment and Recovery Act, and the Buy American Law. Contact customer service for availability.