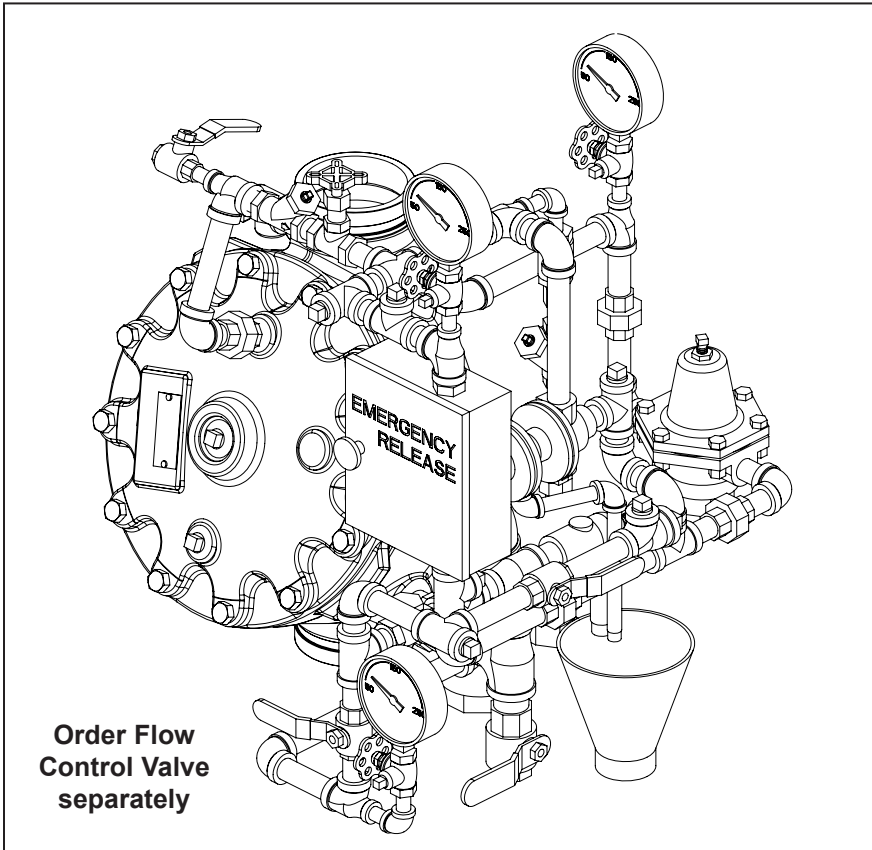




# TECHNICAL DATA

**PILOT REGULATING  
DELUGE TRIM**  
4" (DN100) MODEL J  
VERTICAL FLOW CONTROL VALVE

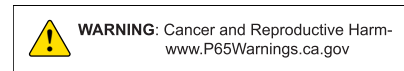
The Viking Corporation, 210 N Industrial Park Drive, Hastings MI 49058  
 Telephone: 269-945-9501 Technical Services: 877-384-5464 Fax: 269-818-1680 Email: techsvcs@vikingcorp.com  
 Visit the Viking website for the latest edition of this technical data page: www.vikinggroupinc.com



**Order Flow Control Valve separately**

<b>This Trim Chart is for use with the following Viking Trim Sets</b>		
Valve Size	Galvanized Trim Part No.	Brass Trim Part No.
4" (DN100)	14748-1	14748-2
<b>This trim is for use with the following Release Module Trim Kits</b>		
Release Type	Galvanized	Brass
Electric	<a href="#">10830</a>	<a href="#">10832</a>
Pneumatic	<a href="#">10809</a>	<a href="#">10811</a>
<b>Note:</b> Nipple lengths for brass trim may vary from those shown on this Trim Chart.		

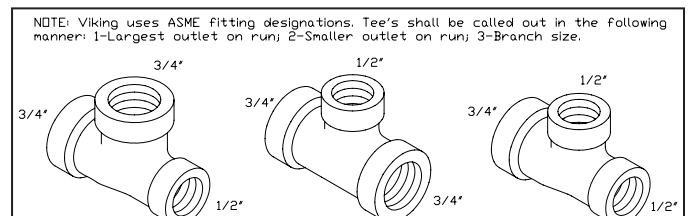
**Note:** When viewing this data page online, [blue](#) text represents hyperlinks and will open the appropriate data page when clicked.



## Notes: For use with Trim Chart on Page 2

### General Notes:

- Valve must be trimmed as shown. Any deviation from trim size or arrangement may affect the proper operation of the valve.
- Dimensions in parentheses are millimeters.
- Viking uses ANSI tee designations (large outlet on run, small outlet on run, side outlet) in all trim call-outs.



**Note 1:** Release system connection. Viking Flow Control Valves are compatible with hydraulic, pneumatic, and electric release systems. A pneumatic actuator is required on all Viking Flow Control Valves equipped with pneumatic release systems.

**Note 2:** Alarm Connections: Connect alarm line piping to 3/4" (20 mm) NPT outlet. When using a water motor alarm, a strainer is required. 1/2" (15 mm) NPT outlet is for electric alarm pressure switch.

**Note 3:** Optional non-interruptible connection for alarm pressure switch to activate electric alarm panel. Note: After the flow control valve trips, this location cannot be shut off. Alarms may operate until the outlet chamber of the flow control valve is de-pressurized below the set point of the alarm pressure switch.

**Note 4:** Viking Drain Check Valve is manufactured with a 0.067" (1.7 mm) orifice to allow alarm line to drain. DO NOT substitute. Check label for proper orientation.

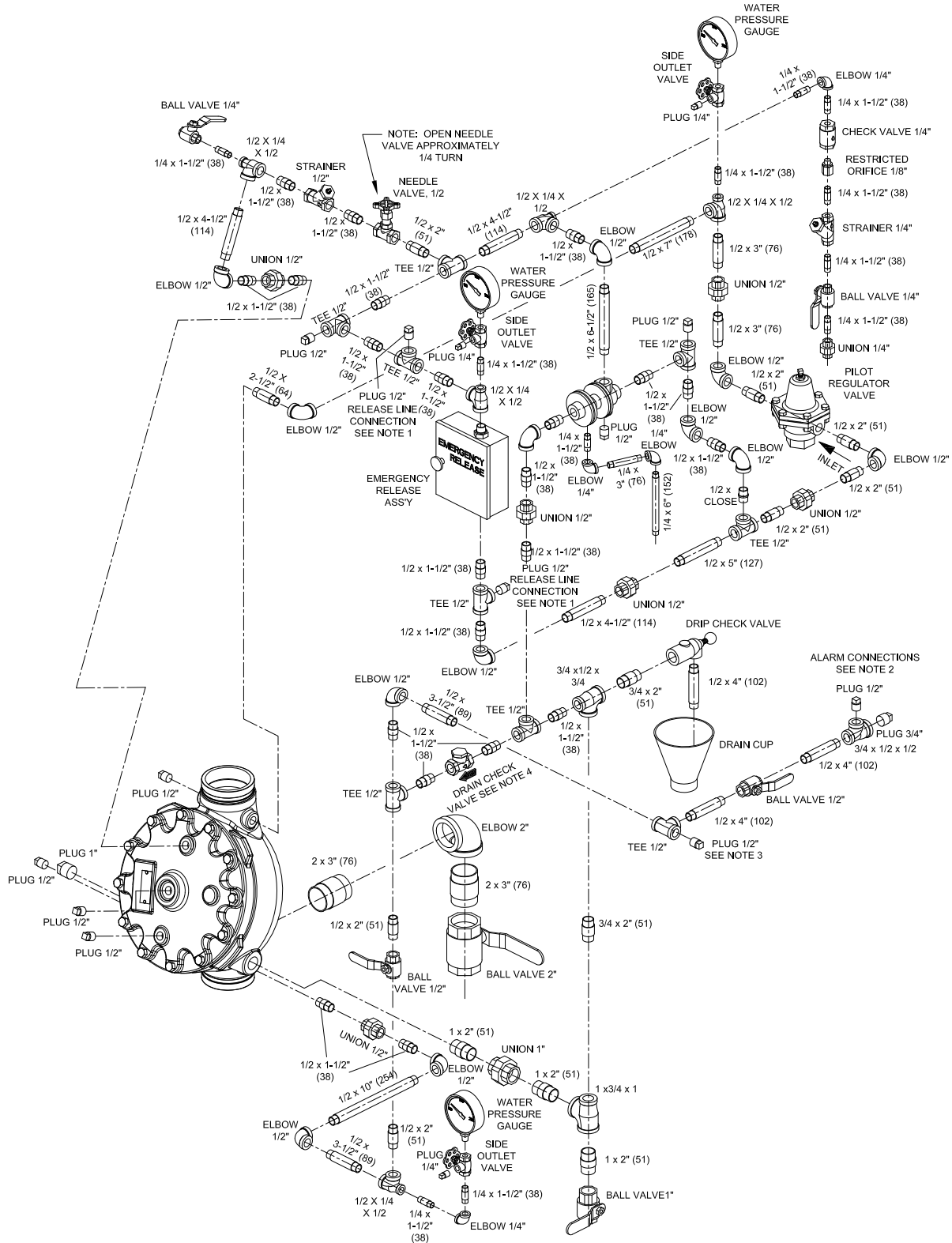


# TECHNICAL DATA

## PILOT REGULATING DELUGE TRIM 4" (DN100) MODEL J VERTICAL FLOW CONTROL VALVE

The Viking Corporation, 210 N Industrial Park Drive, Hastings MI 49058

Telephone: 269-945-9501 Technical Services: 877-384-5464 Fax: 269-818-1680 Email: techsvcs@vikingcorp.com  
Visit the Viking website for the latest edition of this technical data page: www.vikinggroupinc.com





# TECHNICAL DATA

**PILOT REGULATING  
DELUGE TRIM  
4" (DN100) MODEL J  
VERTICAL FLOW CONTROL VALVE**

The Viking Corporation, 210 N Industrial Park Drive, Hastings MI 49058  
 Telephone: 269-945-9501 Technical Services: 877-384-5464 Fax: 269-818-1680 Email: techsvcs@vikingcorp.com  
 Visit the Viking website for the latest edition of this technical data page: www.vikinggroupinc.com

## Installation Dimensions

