



TECHNICAL DATA

OXEO SELECTOR VALVE

The Viking Corporation | 210 N Industrial Park Drive | Hastings MI 49058

Viking Special Hazards | Technical Services: 877-384-5464 | Email: techsvcs@vikingcorp.com | www.vikinggroupinc.com

The technical data described herein is for components of the Viking Oxeo PR Fire Extinguishing Systems.

Visit the Viking website for the latest edition of the technical data and system manuals.

1. DESCRIPTION

The Oxeo selector valve is designed for use in inert gas fire extinguishing systems. The selector valve serves as a valve for selectively flooding extinguishing zones in the case of fire.

The selector valve consists primarily of a ball valve and a rotary drive. These two components are connected to each other by a bridging fitting and a shaft adapter. Once a fire is detected in one of the extinguishing zones of a multi zone system, the selector valve associated with the extinguishing zone is opened by the pneumatic rotary drive and the extinguishing agent flows to the nozzle pipework of the relevant extinguishing zone.

2. LISTINGS AND APPROVALS



cULus Listed - EX5248 (Oxeo PR CF)



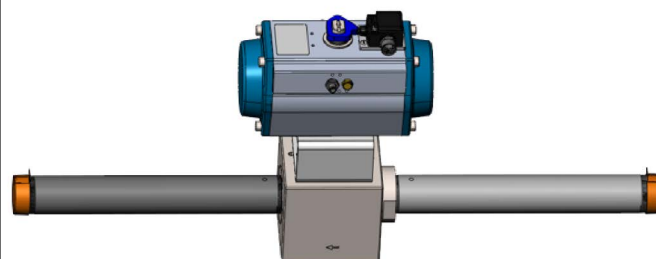
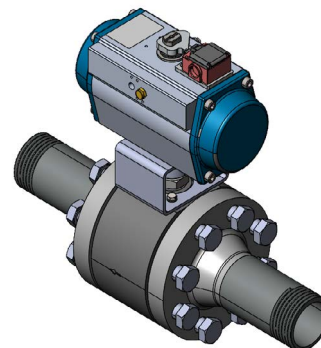
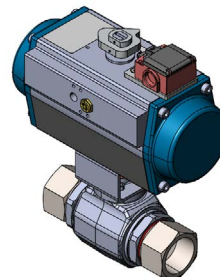
FM Approved: Oxeo PR CF

Table 2.1 - Part Numbers

Designation	Part number.
Oxeo CF selector valve assembly 1"	934713D
Oxeo CF selector valve assembly 1.5"	934714D
Oxeo CF selector valve assembly 2"	934715D
Oxeo CF selector valve assembly 2.5"	934826D
Oxeo CF selector valve assembly 3"	934827D
Oxeo CF selector valve assembly 4"	934828D
Oxeo PR selector valve assembly	24815



WARNING: Cancer and Reproductive Harm-
www.P65Warnings.ca.gov





TECHNICAL DATA

OXEO SELECTOR VALVE

The Viking Corporation | 210 N Industrial Park Drive | Hastings MI 49058

Viking Special Hazards | Technical Services: 877-384-5464 | Email: techsvcs@vikingcorp.com | www.vikinggroupinc.com

The technical data described herein is for components of the Viking Oxeo PR Fire Extinguishing Systems.

Visit the Viking website for the latest edition of the technical data and system manuals.

3. TECHNICAL DATA

3.1 - Specifications and Ratings - PR system	
Parameter	Value
Operating medium	Argon
	Nitrogen
Working pressures: -Selector valve -Pneumatic rotary drive	5294 psi (365 bar) 145 psi (10 bar)
Temperature range	-4 °F to 131 °F (-20 °C to 55 °C)
Control pressure	130.5 to 145 psi (9 to 10 bar)
Markings	Flow direction arrow CE VDS
Pneumatic rotary drive connection	G1/4, ISO 228-1
Type	PS226-Z11-R200
Protection type	Plastic, glass fiber reinforced
Protection type	IP 66, IP 67
Contact material	Silver
Switc system	Snap action contact, NC contact (positve opening)
Switching elements	Normally open (NO) contact, normally closed (NC) contact
Activation	Roller pressure bolt
Connection type	Screw connection
Service life	20 years
Connection cross-section	min. 0.34 mm ² max. 1.5 mm ²
Cable entry	2 x M20 x 1.5
U_i	300 V
I_{the}	10 A
Utilization category	AC-15: 230 V / 3 A
Short-circuit protection	6 A gG D fuse



TECHNICAL DATA

OXEO SELECTOR VALVE

The Viking Corporation | 210 N Industrial Park Drive | Hastings MI 49058

Viking Special Hazards | Technical Services: 877-384-5464 | Email: techsvcs@vikingcorp.com | www.vikinggroupinc.com

The technical data described herein is for components of the Viking Oxeo PR Fire Extinguishing Systems.

Visit the Viking website for the latest edition of the technical data and system manuals.

3.2 - Specifications and Ratings - CF system	
Parameter	Value
Operating medium	Argon
	Nitrogen
Working pressures:	
-Selector valve	2031 psi (140 bar)
-Pneumatic rotary drive	145 psi (10 bar)
Temperature range:	
-Selector valve	-4 °F to 131 °F (-20 °C to 55 °C)
-Limit switch	-4 °F to 122 °F (-20 °C to 50 °C)
Activation pressure	130.5 to 145 psi (9 to 10 bar)
Test pressure	3045 psi (210 bar)
Limit switch type	PS226-Z11-R200
Housing	Plastic, glass fiber reinforced
IP code	IP 66, IP 67
Contact material	Silver
Switch system	Spring control, actuator type C to DIN EN 50047
Switching elements	Normally open (NO) contact, normally closed (NC) contact
Connection type	Screw connection
Service life	20 years
Conductor cross-section	Minimum: 0.75 mm ² Maximum: 2.5 mm ²
Cable entry	2 x M20 x 1.5
Utilization category	AC-15: 240 VAC / 3 A DC-13: 24 VDC / 3 A
Short-circuit protection	6 A gG D fuse



TECHNICAL DATA

OXEO SELECTOR VALVE

The Viking Corporation | 210 N Industrial Park Drive | Hastings MI 49058
 Viking Special Hazards | Technical Services: 877-384-5464 | Email: techsvcs@vikingcorp.com | www.vikinggroupinc.com
 The technical data described herein is for components of the Viking Oxeo PR Fire Extinguishing Systems.
 Visit the Viking website for the latest edition of the technical data and system manuals.

Dimension given in inches

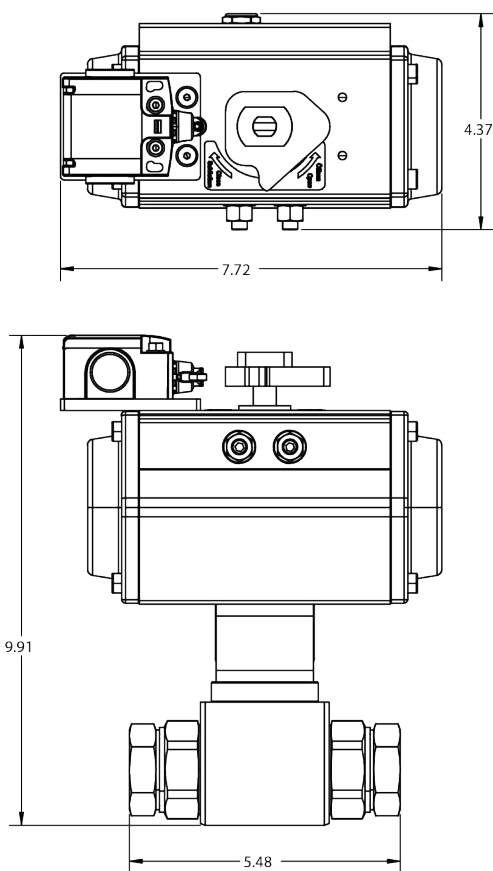


Figure 1: Dimensions - CF 1" system



TECHNICAL DATA

OXEO SELECTOR VALVE

The Viking Corporation | 210 N Industrial Park Drive | Hastings MI 49058
 Viking Special Hazards | Technical Services: 877-384-5464 | Email: techsvcs@vikingcorp.com | www.vikinggroupinc.com
 The technical data described herein is for components of the Viking Oxeo PR Fire Extinguishing Systems.
 Visit the Viking website for the latest edition of the technical data and system manuals.

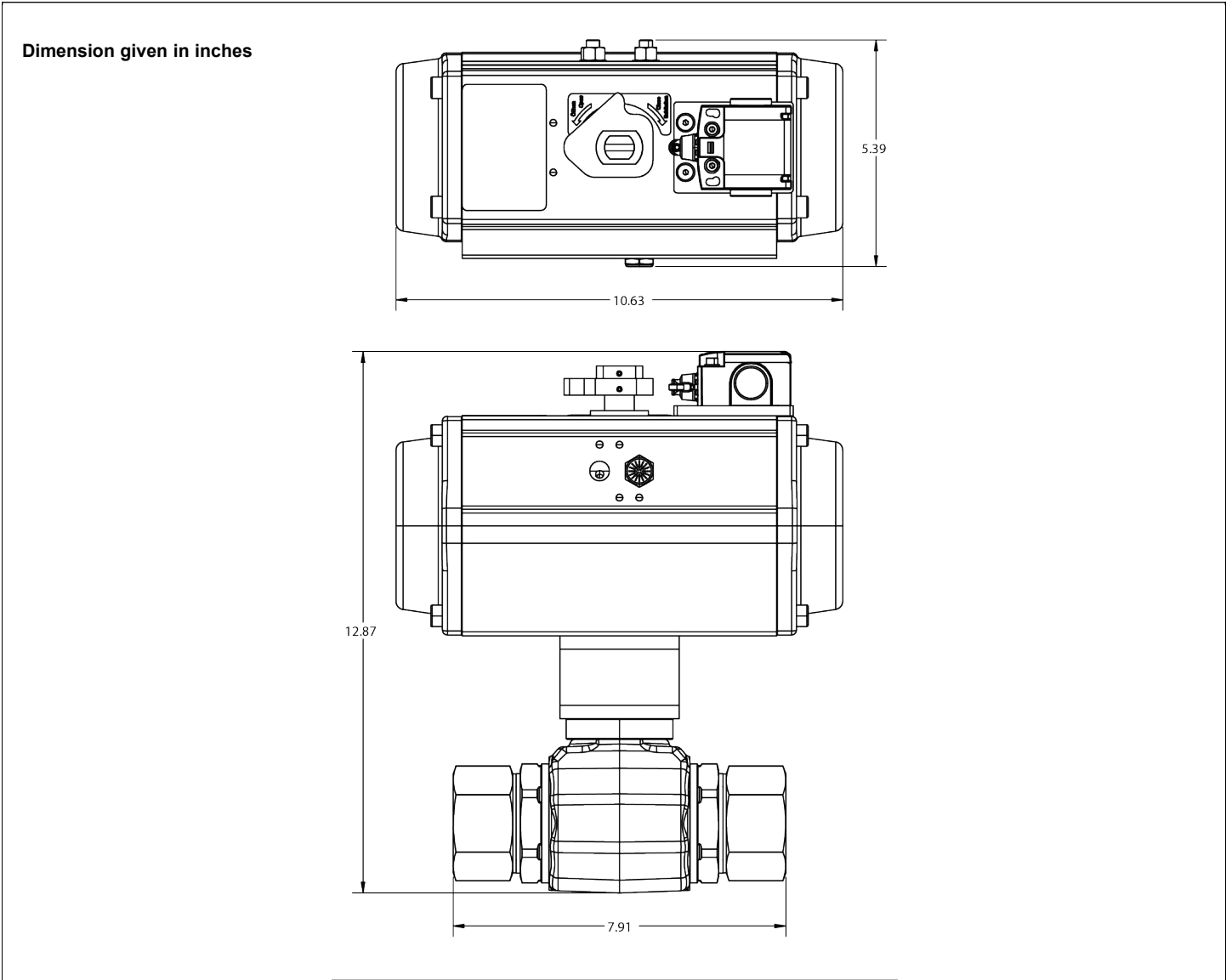


Figure 2: Dimensions - CF 1.5" system



TECHNICAL DATA

OXEO SELECTOR VALVE

The Viking Corporation | 210 N Industrial Park Drive | Hastings MI 49058
 Viking Special Hazards | Technical Services: 877-384-5464 | Email: techsvcs@vikingcorp.com | www.vikinggroupinc.com
 The technical data described herein is for components of the Viking Oxeo PR Fire Extinguishing Systems.
 Visit the Viking website for the latest edition of the technical data and system manuals.

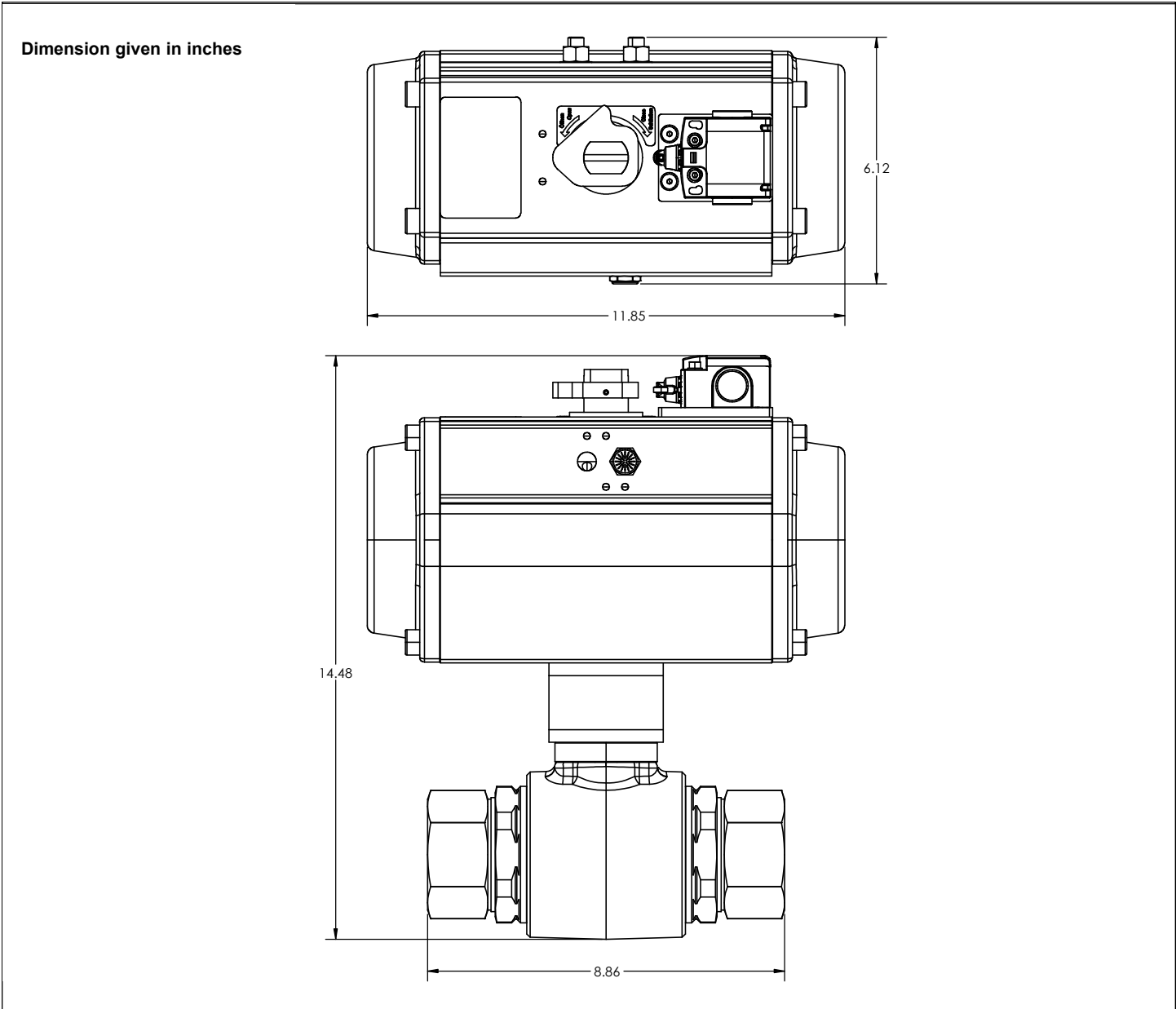


Figure 3: Dimensions - CF 2" system



TECHNICAL DATA

OXEO SELECTOR VALVE

The Viking Corporation | 210 N Industrial Park Drive | Hastings MI 49058
 Viking Special Hazards | Technical Services: 877-384-5464 | Email: techsvcs@vikingcorp.com | www.vikinggroupinc.com
 The technical data described herein is for components of the Viking Oxeo PR Fire Extinguishing Systems.
 Visit the Viking website for the latest edition of the technical data and system manuals.

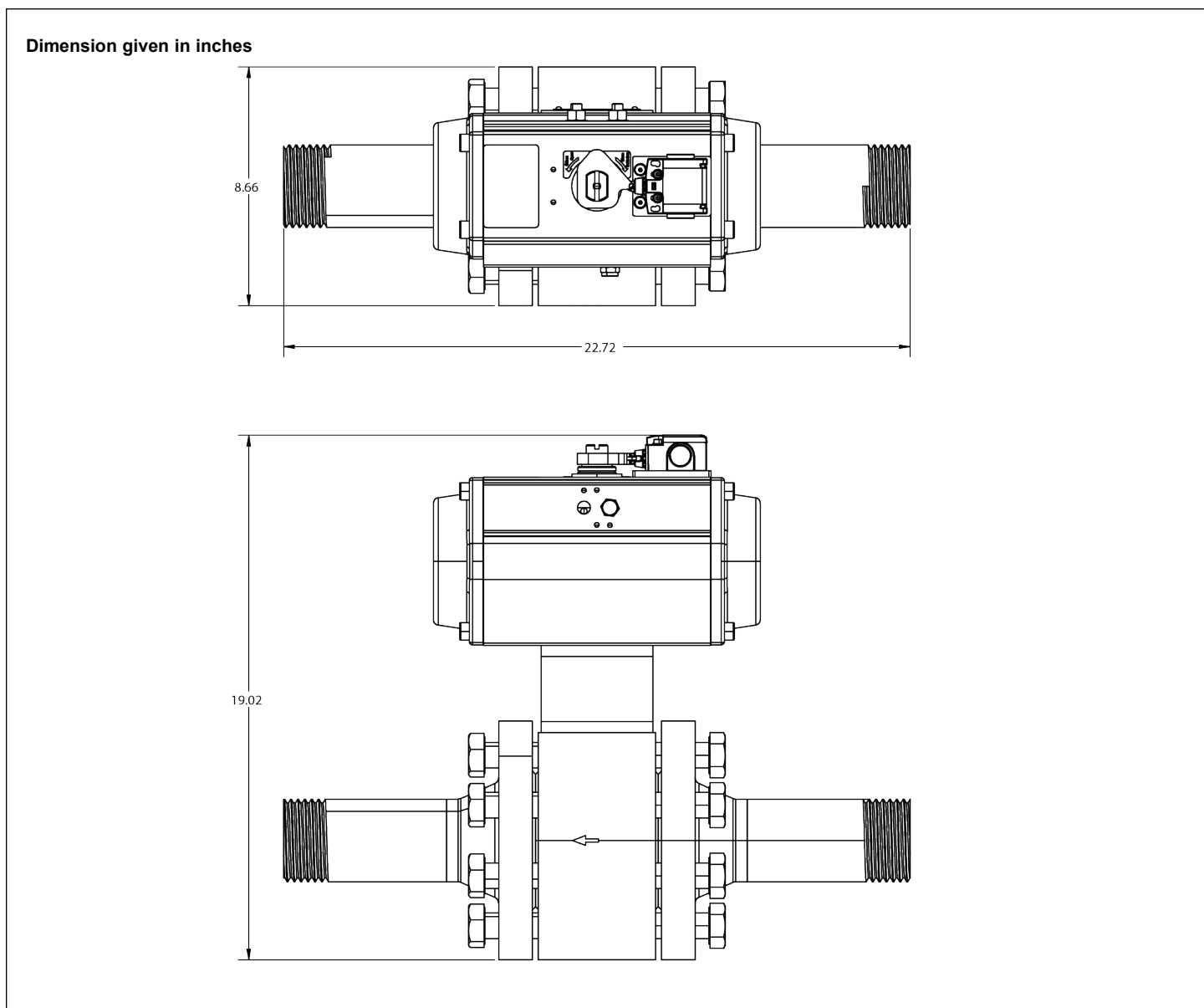


Figure 4: Dimensions - CF 2.5" system



TECHNICAL DATA

OXEO SELECTOR VALVE

The Viking Corporation | 210 N Industrial Park Drive | Hastings MI 49058
 Viking Special Hazards | Technical Services: 877-384-5464 | Email: techsvcs@vikingcorp.com | www.vikinggroupinc.com
 The technical data described herein is for components of the Viking Oxeo PR Fire Extinguishing Systems.
 Visit the Viking website for the latest edition of the technical data and system manuals.

Dimension given in inches

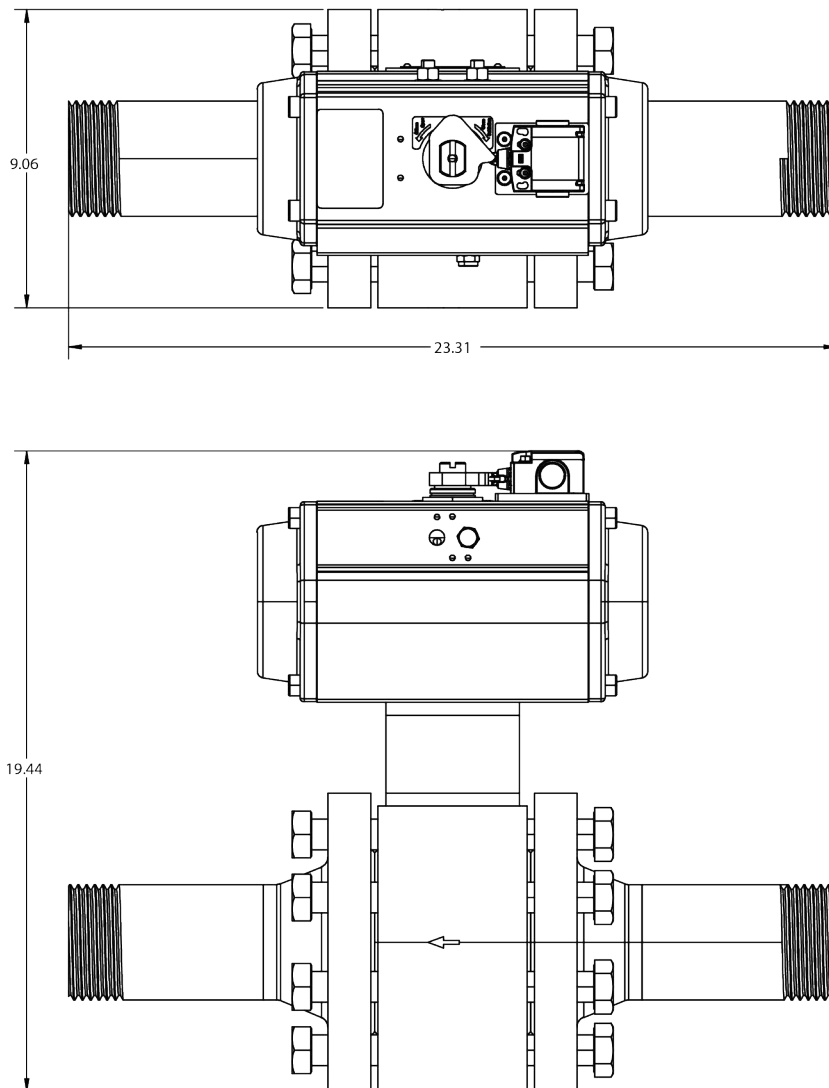


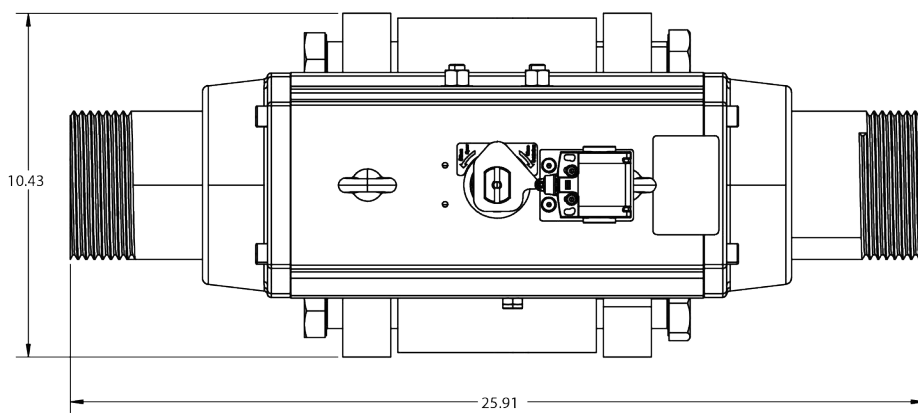
Figure 5: Dimensions - CF 3" system



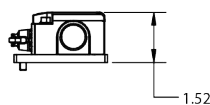
TECHNICAL DATA

OXEO SELECTOR VALVE

The Viking Corporation | 210 N Industrial Park Drive | Hastings MI 49058
 Viking Special Hazards | Technical Services: 877-384-5464 | Email: techsvcs@vikingcorp.com | www.vikinggroupinc.com
 The technical data described herein is for components of the Viking Oxeo PR Fire Extinguishing Systems.
 Visit the Viking website for the latest edition of the technical data and system manuals.



Dimension given in inches



Due to the size and weight of the 4" valve, lugs are attached to the top of the device for ease of installing. Once the valve is installed, these lugs must be removed and the limit switch (shown here) must be installed.

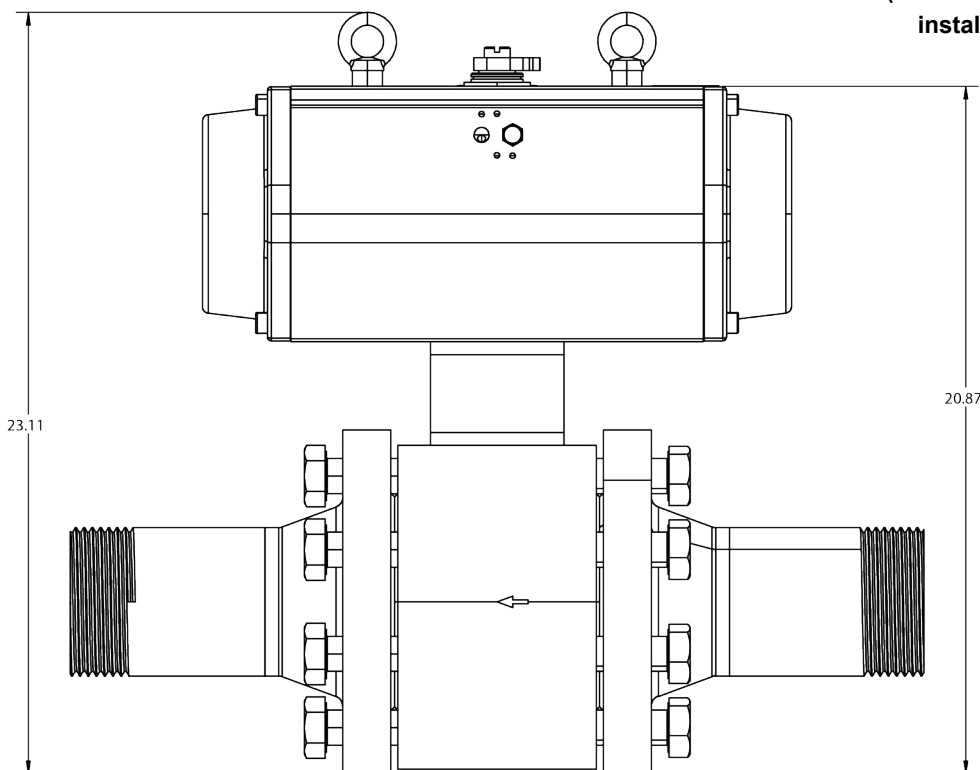


Figure 6: Dimensions - CF 4" system



TECHNICAL DATA

OXEO SELECTOR VALVE

The Viking Corporation | 210 N Industrial Park Drive | Hastings MI 49058
 Viking Special Hazards | Technical Services: 877-384-5464 | Email: techsvcs@vikingcorp.com | www.vikinggroupinc.com
 The technical data described herein is for components of the Viking Oxeo PR Fire Extinguishing Systems.
 Visit the Viking website for the latest edition of the technical data and system manuals.

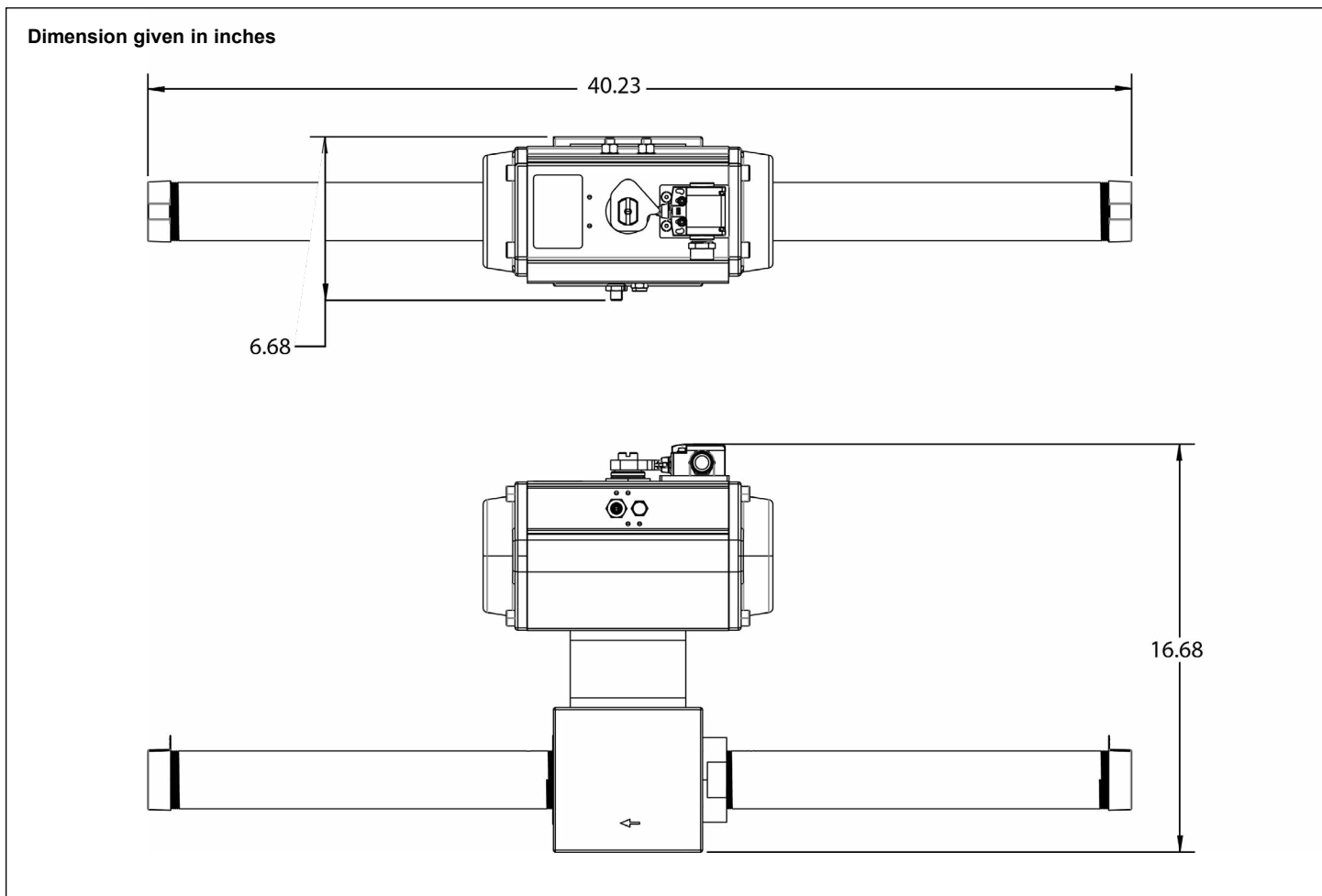


Figure 7: Dimensions - PR system