



TECHNICAL DATA

OXEO PILOT LINE PRESSURE RELIEF DEVICES AND FITTINGS

The Viking Corporation | 210 N Industrial Park Drive | Hastings MI 49058

Viking Special Hazards | Technical Services: 877-384-5464 | Email: techsvcs@vikingcorp.com | www.vikinggroupinc.com

The technical data described herein is for components of the Viking Oxeo PR Fire Extinguishing Systems.

Visit the Viking website for the latest edition of the technical data and system manuals.

1. DESCRIPTION

The Oxeo pilot line pressure relief devices are used in accordance with project specific system designs in fixed fire extinguishing systems. The pressure relief devices (part numbers 24498 and 24499) release small amounts of leakage from pneumatic pilot lines and close automatically when subjected to higher pressures. The devices are intended only for releasing small amounts of pressure. Installation of the devices near any sources of potential leakage, for example a pilot gas tank, is recommended.

The manual release version (24499) includes an optional* release device that is used to manually vent pilot lines.

*24499 may be a required assembly component in certain jurisdictions. Refer to the Authority Having Jurisdiction for more information.

2. LISTINGS AND APPROVALS



cULus Listed - EX5248 (Oxeo PR CF)



FM Approved: Oxeo PR CF

3. TECHNICAL DATA

Specifications

Operating medium: Argon (IG-01) and Nitrogen (IG-100)

Working pressure: 5294 psi (365 bar)

Temperature range: -4 °F to 122 °F (-20 °C to +50 °C)

Connection DN4: 6 x 1 pipe

Device Orientation: vertical (see figure 2)

Material Standards

Housing: brass / steel

Gasket: NBR

Ball: Stainless steel

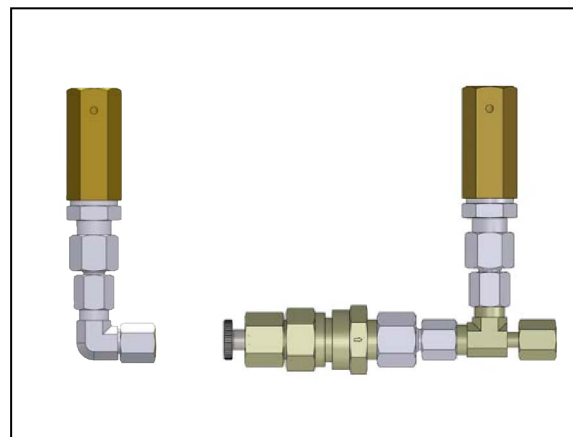
Connection components*:

- Adapter; female 6 mm drawn tubing (M12 x 1.5) x Female 6 mm drawn tubing (M14 x 1.5)
- Tee fitting; male 6 mm x female 6 mm x male 6 mm
- Tee fitting; male 6 mm x male 6 mm x female 6 mm

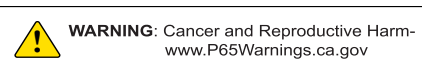
*All connection components comprised of zinc-plated steel

4. INSTALLATION

The SFD 300 must be installed into the pilot lines in an upright position. The Oxeo system will be unable to pressurize or release any agent while the manual release device is being held open.



Designation	Part no.	Weight
Pressure Relief SFD300 assembly	24498	0.303 lbs (0.14 kg)
Pressure Relief SFD300 with Manual release	24499	0.759 lbs (0.34 kg)





TECHNICAL DATA

**OXEO PILOT LINE
PRESSURE RELIEF DEVICES AND
FITTINGS**

The Viking Corporation | 210 N Industrial Park Drive | Hastings MI 49058
 Viking Special Hazards | Technical Services: 877-384-5464 | Email: techsvcs@vikingcorp.com | www.vikinggroupinc.com
 The technical data described herein is for components of the Viking Oxexo PR Fire Extinguishing Systems.
 Visit the Viking website for the latest edition of the technical data and system manuals.

Figure 1: Dimensions

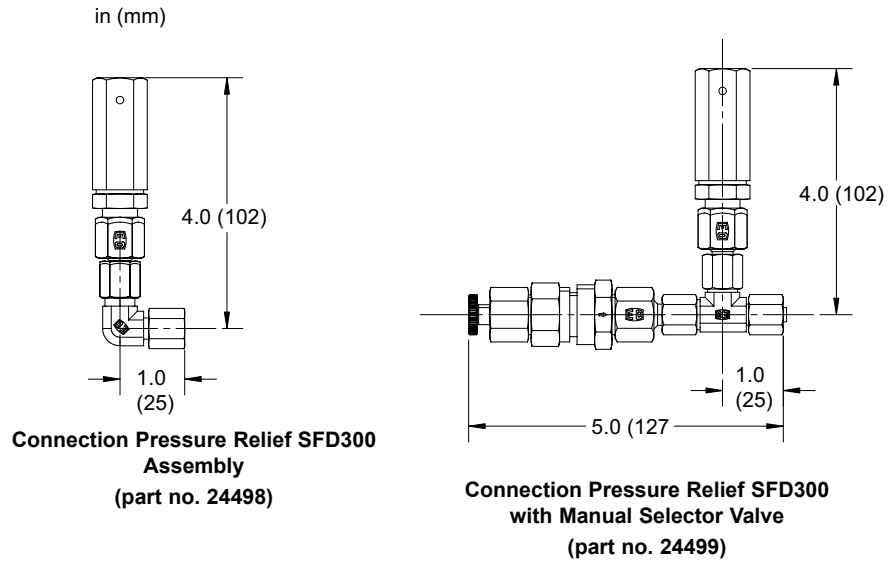


Figure 2: Assembled Pilot Line Reliefs

