



# GUARDIAN

FIRE EQUIPMENT, INC.  
MIAMI, FL

Ph. 800.327.6584 • Fax 800.827.3869

## DETAIL AND SUBMITTAL SHEET

### 6000 Series - Flush Fire Dept. Inlet Connections

Project/Location: \_\_\_\_\_ Date: \_\_\_\_\_

Architect/Engineer: \_\_\_\_\_

Contractor: \_\_\_\_\_

**Appropriate Selection**

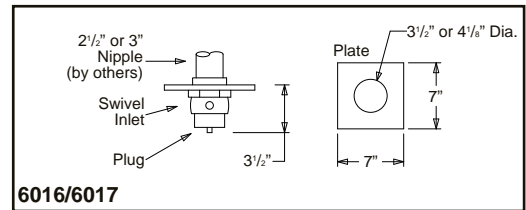
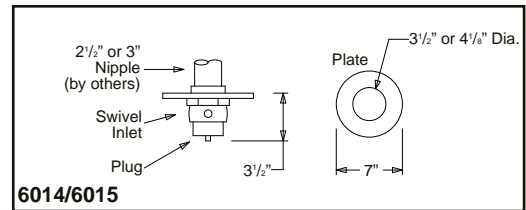
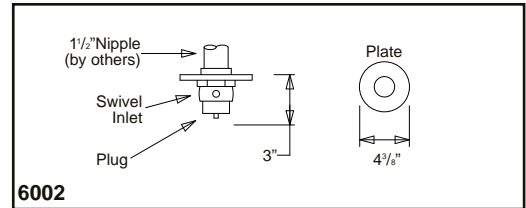
Used as auxiliary connections through which the fire department can pump water to supplement existing water supplies. Provides 250 GPM flow (minimum), per 2 1/2" inlet.

**Single** - inlet connections incorporate a straight-thru, non-clappered design with female NPT outlets.

**Two and three-way** inlet connections feature brass bodies (angle or straight pattern), with integral drop-clapper inlets and female NPT outlets.

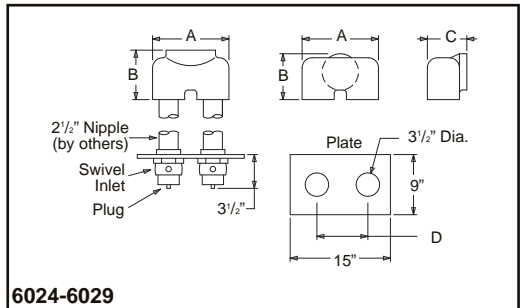
**Standard components, all connections:**

Female hose thread swivel inlets, plugs with chains and identification plate. Cast brass construction, standard.



| Single Inlet Connections |                               |                               |                               |                               |                               |
|--------------------------|-------------------------------|-------------------------------|-------------------------------|-------------------------------|-------------------------------|
| Model No.                | <input type="checkbox"/> 6002 | <input type="checkbox"/> 6014 | <input type="checkbox"/> 6015 | <input type="checkbox"/> 6016 | <input type="checkbox"/> 6017 |
| Outlet                   | 1 1/2"                        | 2 1/2"                        | 3"                            | 2 1/2"                        | 3"                            |
| Inlet                    | 1 1/2"                        | 2 1/2"                        | 2 1/2"                        | 2 1/2"                        | 2 1/2"                        |
| Plate                    | 4 1/2" O.D.                   | 7" O.D.                       | 7" O.D.                       | 7" SQ                         | 7" SQ                         |

Identification Plate Lettering: **AUTO SPKR**



| Two and Three-Way Connections   |        |                               |          |         |        |        |        |
|---------------------------------|--------|-------------------------------|----------|---------|--------|--------|--------|
| Model No.                       | Outlet | Size                          | Clappers | A       | B      | C      | D      |
| <input type="checkbox"/> 6024   | Back   | 4" x 2 1/2" x 2 1/2"          | 2        | 11 5/8" | 7 1/8" | ---    | 7 5/8" |
| <input type="checkbox"/> 6025   | Bottom | 4" x 2 1/2" x 2 1/2"          | 2        | 12 1/8" | 6 7/8" | 7 1/8" | 7 5/8" |
| <input type="checkbox"/> 6026   | Top    | 4" x 2 1/2" x 2 1/2"          | 2        | 12 1/8" | 6 7/8" | 7 1/8" | 7 5/8" |
| <input type="checkbox"/> 6027   | Back   | 6" x 2 1/2" x 2 1/2"          | 2        | 11 5/8" | 7 1/8" | ---    | 7 5/8" |
| <input type="checkbox"/> 6028   | Bottom | 6" x 2 1/2" x 2 1/2"          | 2        | 12 1/8" | 7 5/8" | 7 1/8" | 7 5/8" |
| <input type="checkbox"/> 6029** | Top    | 6" x 2 1/2" x 2 1/2"          | 2        | 12 1/8" | 8"     | 9"     | 7"     |
| <input type="checkbox"/> 6034   | Back   | 4" x 2 1/2" x 2 1/2" x 2 1/2" | 3        | 17 3/8" | 6 1/8" | ---    | 6 5/8" |
| <input type="checkbox"/> 6037   | Back   | 6" x 2 1/2" x 2 1/2" x 2 1/2" | 3        | 17 3/8" | 6 1/8" | ---    | 6 5/8" |
| <input type="checkbox"/> 6038   | Bottom | 6" x 2 1/2" x 2 1/2" x 2 1/2" | 3        | 17 3/8" | 7 5/8" | 7 1/8" | 6 5/8" |
| <input type="checkbox"/> 6039   | Top    | 6" x 2 1/2" x 2 1/2" x 2 1/2" | 3        | 17 3/8" | 7 5/8" | 7 1/8" | 6 5/8" |

Identification Plate Lettering

**AUTO SPKR**                       **AUTO SPKR & STANDPIPE**

**STANDPIPE**                       **DRY STANDPIPE**

\*\*Available with steel body & clapper snoots only

Optional Finish:  -B Polished Brass

-C Rough Chrome Plated

-D Polished Chrome Plated

Threads:

NST

Other

