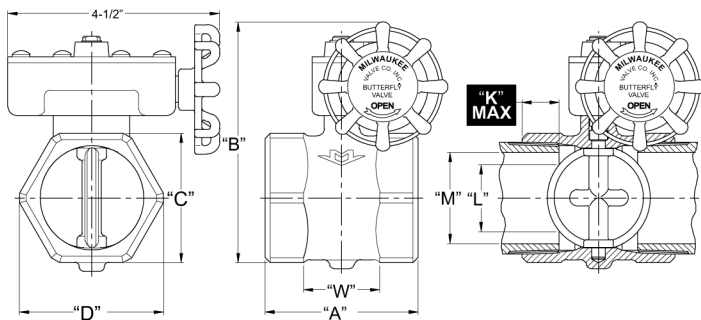
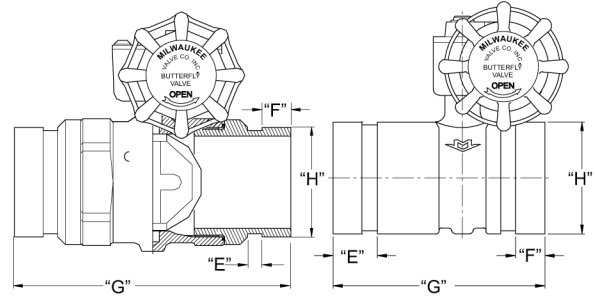


INDOOR/OUTDOOR butterball® BUTTERFLY VALVES

VALVES LESS SUPERVISORY TAMPER SWITCH ASSEMBLY



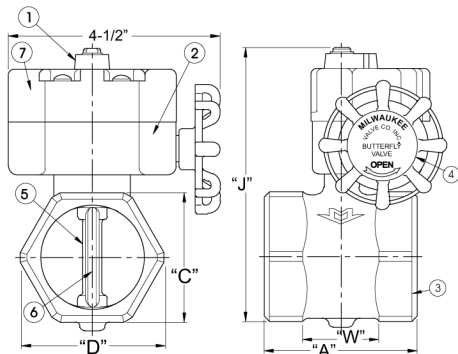
BB-SC100 (Threaded Ends)
Sizes 1", 1-1/4", 1-1/2", 2", 2-1/2"



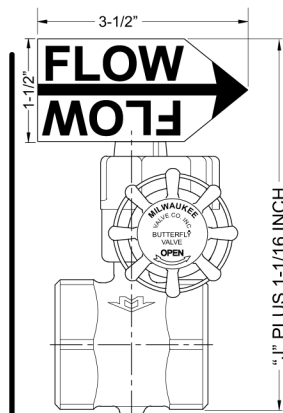
BBVSC100
3 piece with
Grooved Ends
Size 2"

BBVSC100
Uni-body with
Grooved Ends
Size 2-1/2"

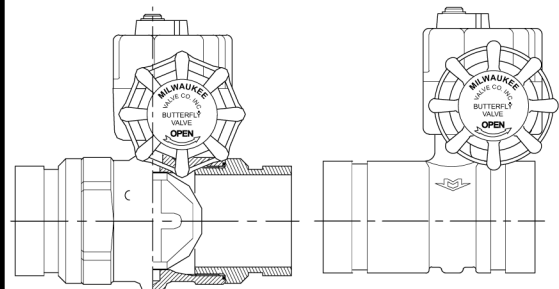
VALVES WITH SUPERVISORY TAMPER SWITCH ASSEMBLY



THREADED ENDS
BB-SCS02



NYC INDICATOR
(Available on both switched and non-switched models.)



BBVSCS02
3 piece with
Grooved Ends
Size 2"

BBVSCS02
Uni-body with
Grooved Ends
Size 2-1/2"

ALL DIMENSIONS-INCHES

Threaded					Grooved		
SIZE	1"	1-1/4"	1-1/2"	2"	SIZE	2"	2-1/2"
A	2-1/8	2-5/8	2-7/8	3-1/4	A	-	4-1/8
B	3-15/16	4-9/32	4-1/2	5	B	5	5-13/32
C	1-9/16	1-15/16	2-3/16	2-3/4	C	2-3/4	3-3/16
D	1-23/32	2-7/64	2-3/8	3-1/16	D	3-1/16	3-1/2
J	4-15/16	5-1/8	5-19/32	6-1/8	E	5/8	15/16
K	.66	.73	.73	.79	F	5/16	5/8
L	.83	.90	.99	1.41	G	6	4-1/2
M-40	1.05	1.38	1.61	2.07	H	2-3/8	2-7/8
M-80	.96	1.28	1.50	1.94	J	6-1/8	6-1/4
N-40	2.25	2	2.5	2.25	K	.79	1.18
W	1-1/8	1-1/4	1-13/32	1-11/16	L	1.41	1.29
					M-40	2.07	2.47
					M-80	1.94	2.32
					N-40	2.25	10
					W	-	1-3/4

M-40 ARE DIMENSIONS USING SCHEDULE 40 PIPE

M-80 ARE DIMENSIONS USING SCHEDULE 80 PIPE

N-40 IS FLOW RESISTANCE EXPRESSED IN EQUIVALENT LENGTH OF SCHEDULE 40 PIPE

W IS THE WRENCH MAKE-UP LENGTH

MATERIAL LIST

NO.	PART	MATERIAL	SPECIFICATION
1	Indicator	Sintered Iron	F0008P
2	Housing	Bronze	ASTM 584
3	Body	Bronze	ASTM 584
4	Handle	Brass	
5	Disc	Stainless Steel	Type 304
6	Disc Seal	EPDM Elastomer	
7	Switch Housing	Die Cast Aluminum	