

Fig. 28 - "Stand-Off" Hanger & Restrainer for CPVC Plastic Pipe



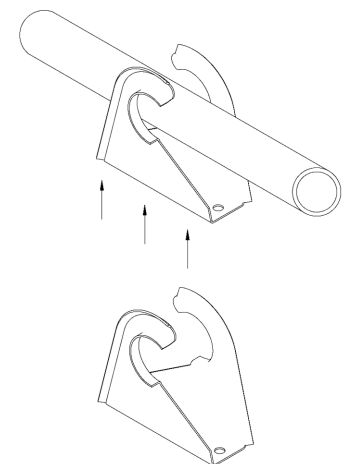
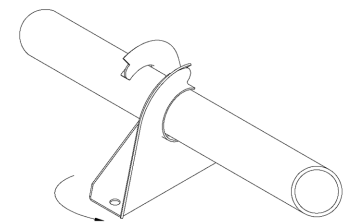
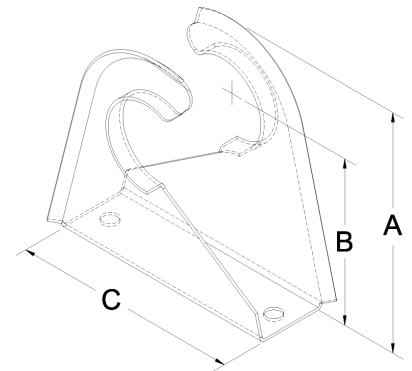
Size Range — 3/4" through 2"

Material — Carbon Steel, Pre-Galvanized

Function — Designed to be used as a hanger and restrainer for CPVC piping where the "stand-off" design will ease installation by eliminating the need for wood blocking.

Features:

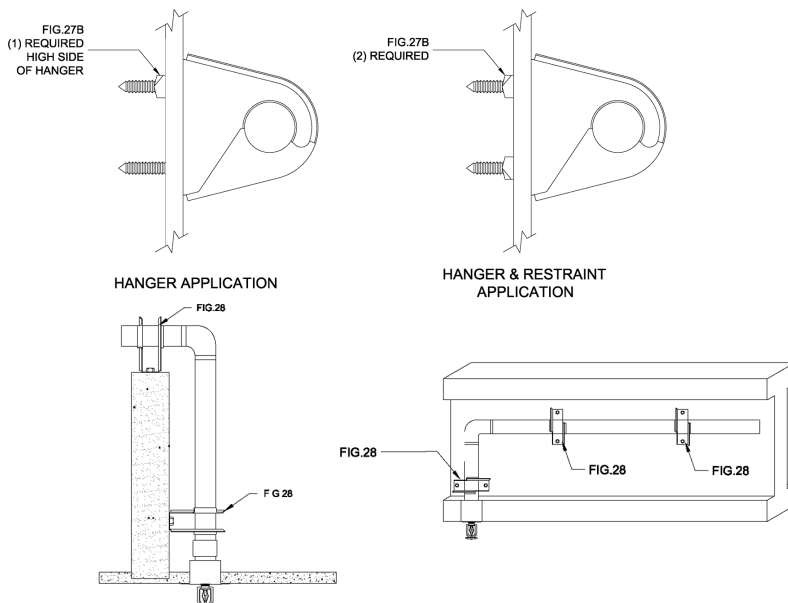
- Flared edge design protects CPVC pipe from any rough or abrasive surfaces.
- Unique twist and lock design holds pipe firmly in place and allows retrofit type of installation.
- The "Stand-Off" design eliminates the need for wood block extension.
- Can be installed on horizontal or vertical piping regardless of mounting surface orientation.
- Attaches easily to wood structure with two hex head self-threading screws furnished with product.
- Installs easily using rechargeable electrical driver with 5/16" extension socket eliminating impact tool damage to pipe.
- Attaches easily to steel, minimum 18 gauge with (2) 1/4" x 1" tek type self drilling tapping screws.
- UL Listed as a hanger and a restrainer for fire sprinkler piping.



Approvals — Underwriters' Laboratory Listed in the USA (**UL**) and Canada (**cUL**) to support automatic fire sprinkler systems. May be installed into wood using fasteners supplied with product, or into minimum 18 gauge steel using (2) 1/4" x 1" tek type screws. Meets and exceeds the requirements of NFPA 13, 13R and 13D. Fig. 28 satisfies the UL vertical restraint requirement where needed. UL Listed as a hanger and vertical restraint when installed on 3/8" composite wood material. Use two Fig. 27B Speed Nuts when used as a hanger and restraint. Use one Fig. 27B Speed Nut on the upper installed screw when used as a hanger only.

Order by — Figure number and pipe size.

Pat. # 7,455,268, Pat. # 7,832,248



Dimensions • Weights

Pipe Size	A	B	C	Approx. Wt.
3/4	3 1/32	2	3 1/2	.180
1	3 5/16	2 3/16	3 1/2	.210
1 1/4	3 5/8	2 3/8	3 1/2	.225
1 1/2	4	2 1/2	3 1/2	.310
2	4 1/2	2 11/16	3 5/8	.340