

Fig. 327 - Pipe Roller and Stand

Size Range — 2" thru 30" pipe

Material — Cast iron roller and Carbon Steel base

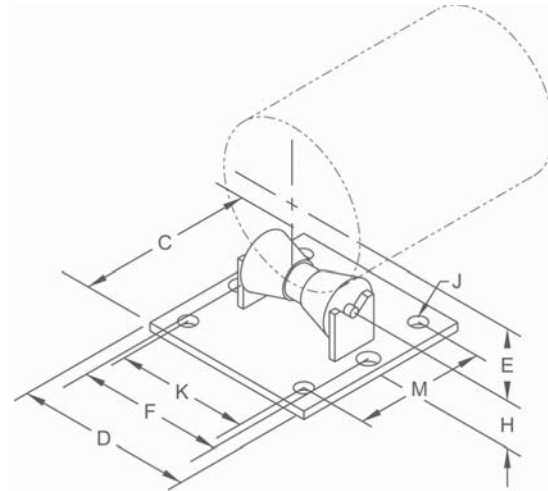
Function — Designed to support pipe where movement may occur due to thermal expansion.

Approvals — Complies with Federal Specification WW-H-171E, Type 45 and Manufacturers Standardization Society SP-69, Type 44.

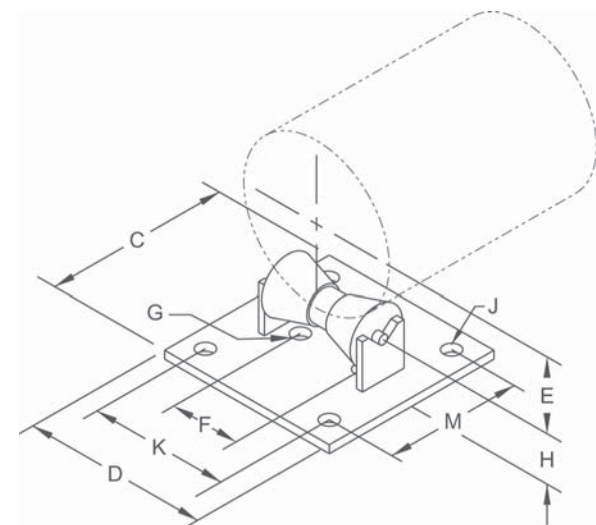
Finish — Plain

Note — Available in Electro-Galvanized and HDG finish or Stainless Steel materials.

Order by — Figure number, pipe size and finish



PIPE SIZES 2" THRU 6"



PIPE SIZES 8" THRU 30"

Dimensions • Weights

Pipe Size	C	D	E	Max. Rec. Load Lbs.	Approx. Wt./100
2	5 ³ / ₄	8 ¹ / ₂	1 ¹ / ₂	390	570
2 ¹ / ₂	5 ³ / ₄	8 ¹ / ₂	1 ³ / ₄	390	570
3	5 ³ / ₄	8 ¹ / ₂	2 ¹ / ₈	390	570
4	5 ³ / ₄	10 ¹ / ₈	2 ³ / ₄	950	760
5	5 ³ / ₄	10 ¹ / ₈	3 ³ / ₈	950	760
6	5 ³ / ₄	10 ¹ / ₈	3 ⁷ / ₈	950	760
8	6 ⁷ / ₈	8 ⁷ / ₈	5 ¹ / ₈	2100	760
10	6 ⁷ / ₈	8 ⁷ / ₈	6 ¹ / ₄	2100	1330
12	7 ⁷ / ₈	11	7 ³ / ₈	3075	1330
14	7 ⁷ / ₈	11	8	3075	2375
16	8 ³ / ₄	12 ¹ / ₂	8 ⁷ / ₈	4980	2375
18	8 ³ / ₄	12 ¹ / ₂	10	4980	3420
20	8 ³ / ₄	12 ¹ / ₂	11	4980	3420
24	8 ⁷ / ₈	13 ³ / ₄	13	6100	4275
30	10 ³ / ₄	17 ¹ / ₄	16 ¹ / ₄	7500	8550

Dimensions

Pipe Size	F	G	H	J	K	M
2 - 3	6 ¹ / ₂	1	2	7/16	3 ¹ / ₂	4 ¹ / ₈
4 - 6	8	1	2 ³ / ₈	9/16	4 ³ / ₄	4 ¹ / ₄
8 - 10	4	1	3 ³ / ₄	5/8	7	5
12 - 14	5 ³ / ₄	1	3 ³ / ₄	9/16	9 ¹ / ₄	6
16 - 20	6 ³ / ₄	1	4 ⁹ / ₈	3/4	10 ¹ / ₄	6 ¹ / ₂
22 - 24	7 ¹ / ₂	1	4 ³ / ₄	13/16	11 ¹ / ₂	6 ³ / ₄
26 - 30	10	1	5 ⁵ / ₈	1	14 ³ / ₈	8